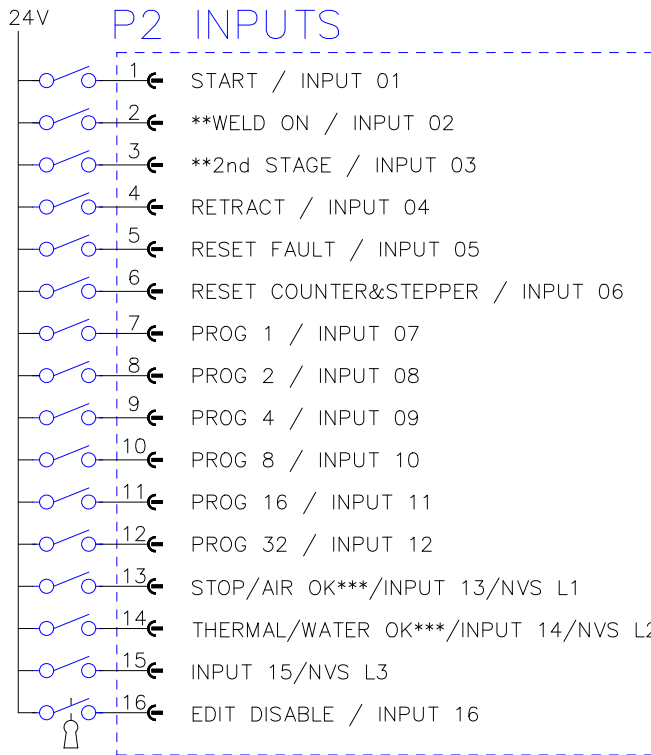
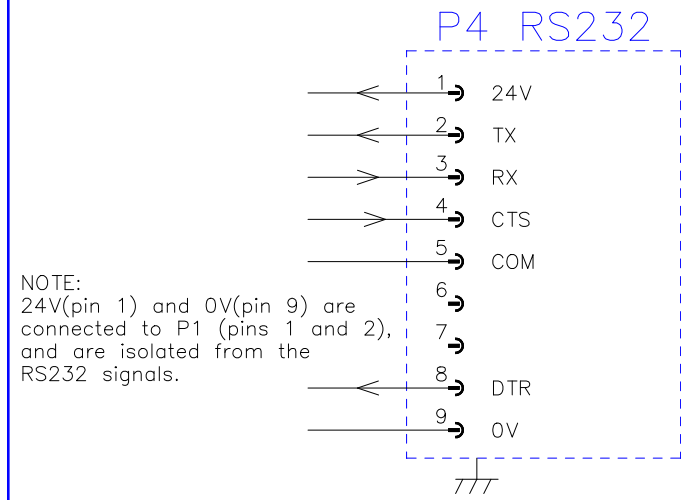
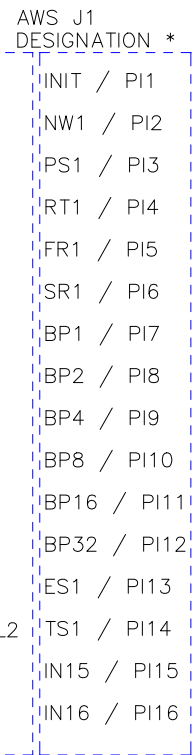


WAV AND HAV OUTPUTS RATED 500mA @ 24V DC.  
ALL OTHER OUTPUTS RATED 100mA @ 24V DC



**NOTES:**

- \* AWS J1 designations are used when configured for ENGLISH(US).
- \*\* These inputs must be linked out if not used.
- \*\*\* Air and water switch inputs are available on V1.27 onward. Stop and thermal functions are available on V1.36 onwards.
- NVS function inputs are available on V1.34 onward.



Fit EITHER a toroid OR a CT.  
Use Toroid for secondary currents(2...60kA), connected to pins 1&3.  
Use CT for primary currents (0.1...4kA), connected to pins 2&3.

