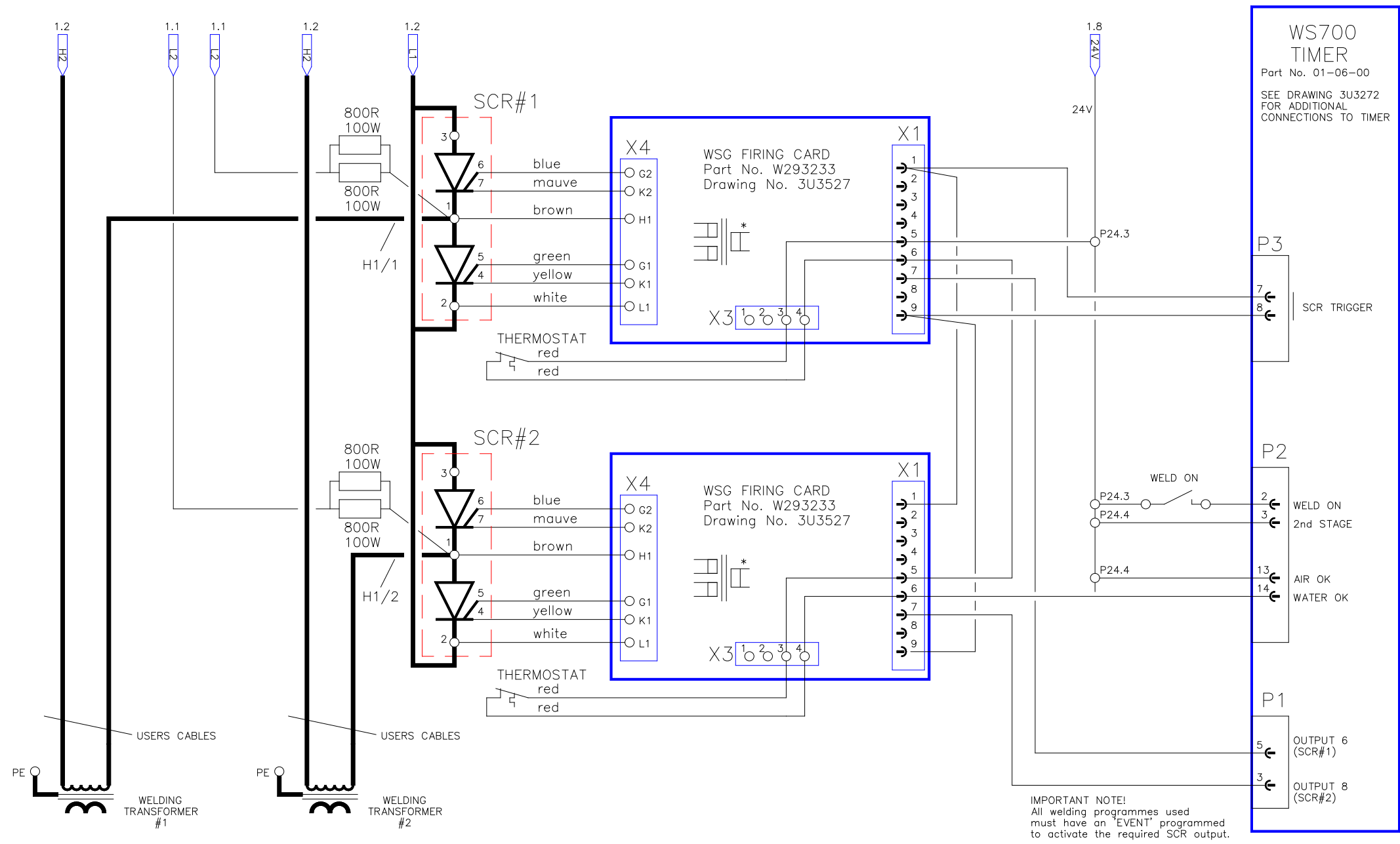


DATE:	5-3-09	BF ENTRON LTD	TITLE:	WS700 2xSCR CASE	DRAWING No:	3U3532
DRAWN:	K.C.		ISSUE No:	1	SHEET No:	1 of 2
CHECKED:						



DATE:	5-3-09
DRAWN:	K.C.
CHECKED:	

BF ENTRON LTD

TITLE: **WS700 2xSCR CASE**

DRAWING No:	3U3532
ISSUE No:	1
SHEET No:	2 of 2