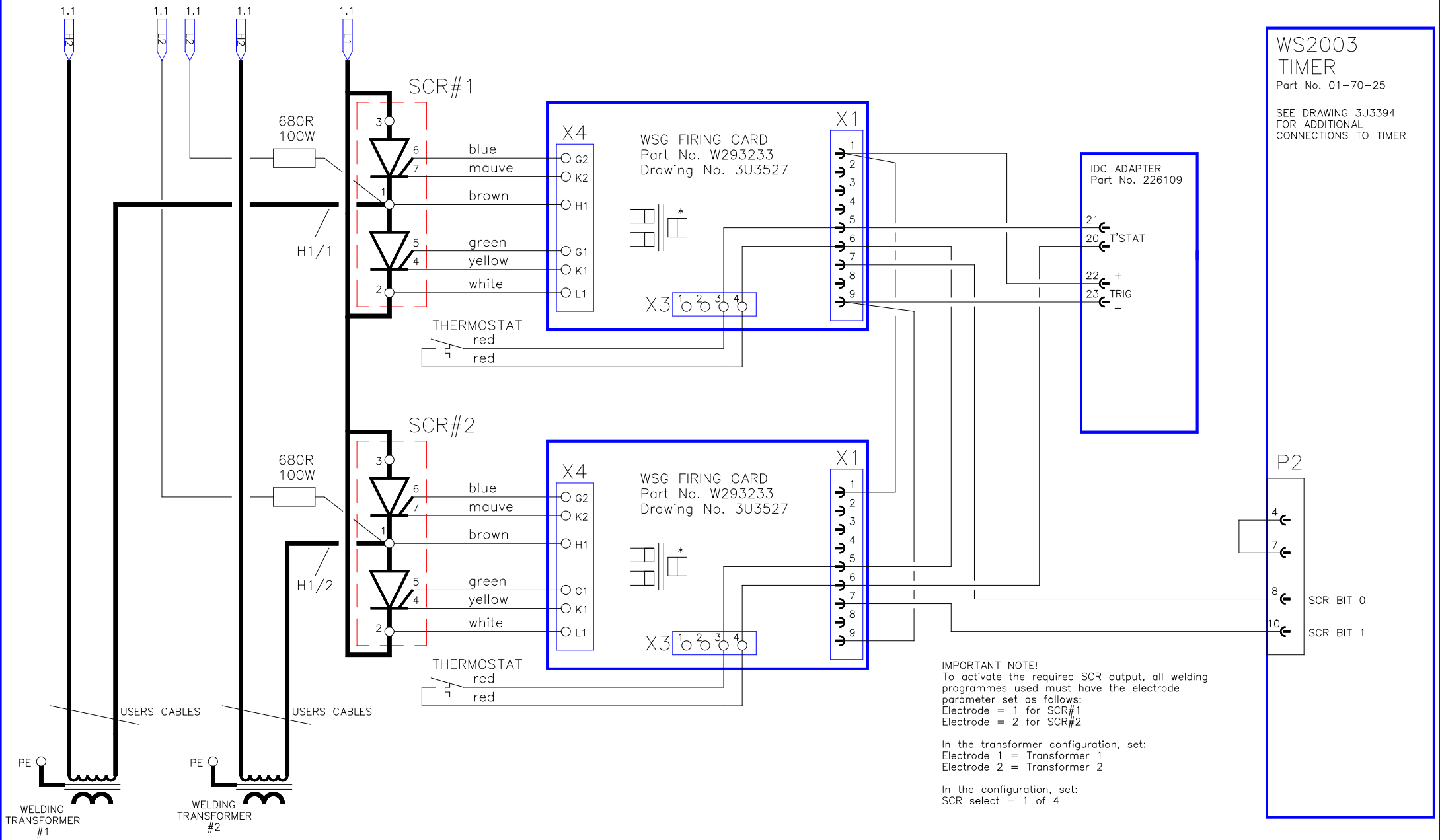


| | | | | | | |
|----------|---------|------------------|-----------|----------------------|-------------|--------|
| DATE: | 2-10-11 | BF ENTRON LTD | TITLE: | WS2003 2xSCR CASE | DRAWING No: | 3U3573 |
| DRAWN: | K.C. | | ISSUE No: | 2 | SHEET No: | 1 of 2 |
| CHECKED: | | | | | | |



**WS2003
TIMER**
Part No. 01-70-25

SEE DRAWING 3U3394
FOR ADDITIONAL
CONNECTIONS TO TIMER

| | | | | | | |
|----------|---------|------------------|-----------|----------------------|-------------|--------|
| DATE: | 2-10-11 | BF ENTRON LTD | TITLE: | WS2003 2xSCR CASE | DRAWING No: | 3U3573 |
| DRAWN: | K.C. | | ISSUE No: | 2 | SHEET No: | 2 of 2 |
| CHECKED: | | | | | | |