

1

2

3

4

5

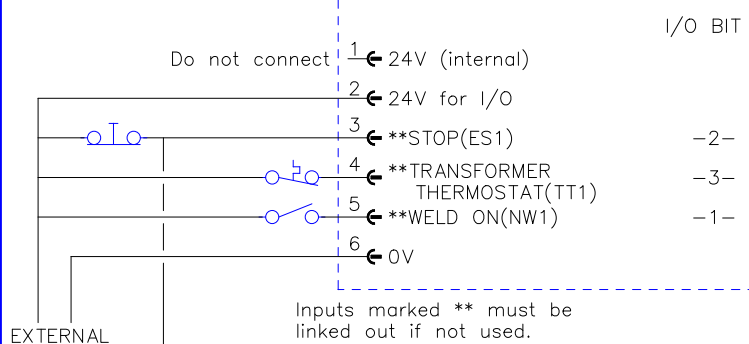
6

7

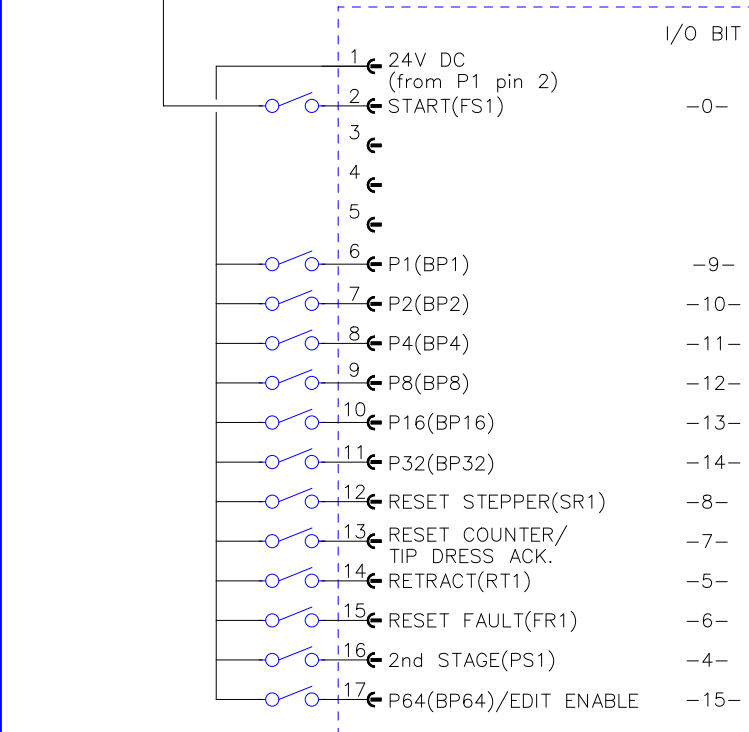
8

9

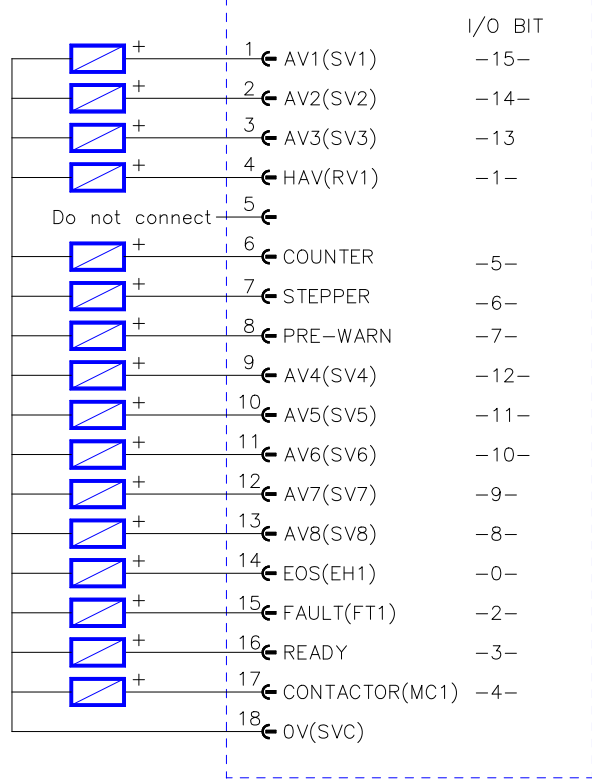
P1 SYSTEM



P2 INPUTS



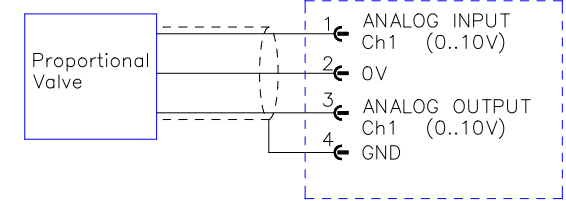
P3 OUTPUTS



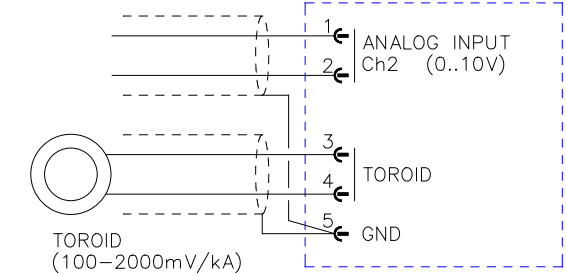
Outputs rated 500mA @ 24V DC.

AWS designations shown in parenthesis.

P4 PROP. VALVE



P5 SENSORS



DATE: 27-4-17

DRAWN: K.C.

CHECKED:

BF ENTRON LTD

TITLE:

iPAK2
USERS CONNECTIONS

DRAWING No:

3U3661

ISSUE No: 1

SHEET No: 1 of 1