

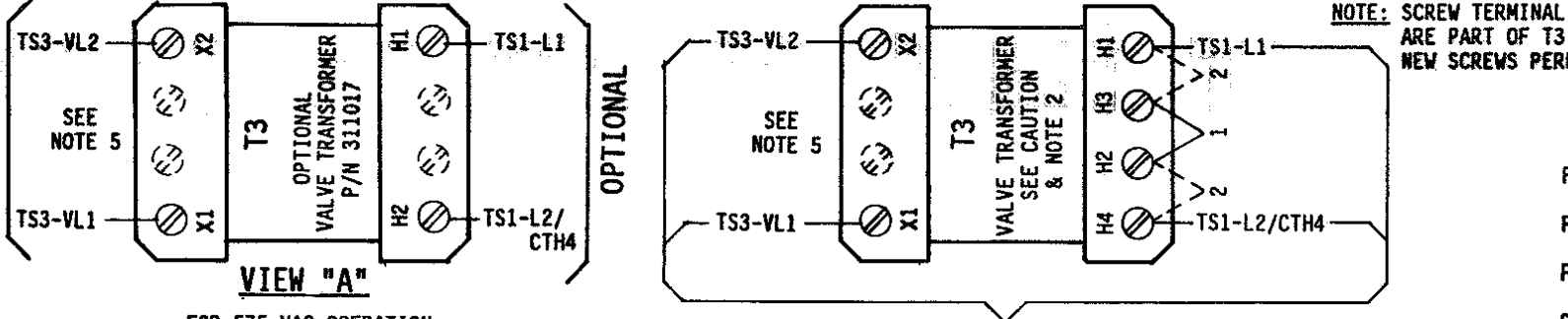
CAUTION - READ MANUAL & ALL NOTES BEFORE INSTALLING OR OPERATING CONTROL. SEE NOTE 1. NO CIRCUIT CALIBRATION OR ADJUSTMENT EVER REQUIRED.

HAZARDOUS VOLTAGE FROM ONE OR MORE SOURCES

FOR SERVICE ON THIS CONTROL

CAUTION Control Shipped Wired for 460 VAC Operation unless otherwise specified - See Note 2.

NOTE: PRIOR TO 1-15-93, OPTIONAL 575V VALVE TRANSFORMER (T3) WAS P/N 311007. WIRE FROM T3-1/L2/CTH4 WAS CONNECTED TO T3-H3. T3-H3 SCREW POSITION WAS IN SAME LOCATION AS T3-H2.



NOTE: SCREW TERMINAL POSITIONS SHOWN IN DASHED LINES ARE PART OF T3 P/N 311002 AFTER 6-16-97. THE NEW SCREWS PERFORM NO ELECTRICAL FUNCTION.

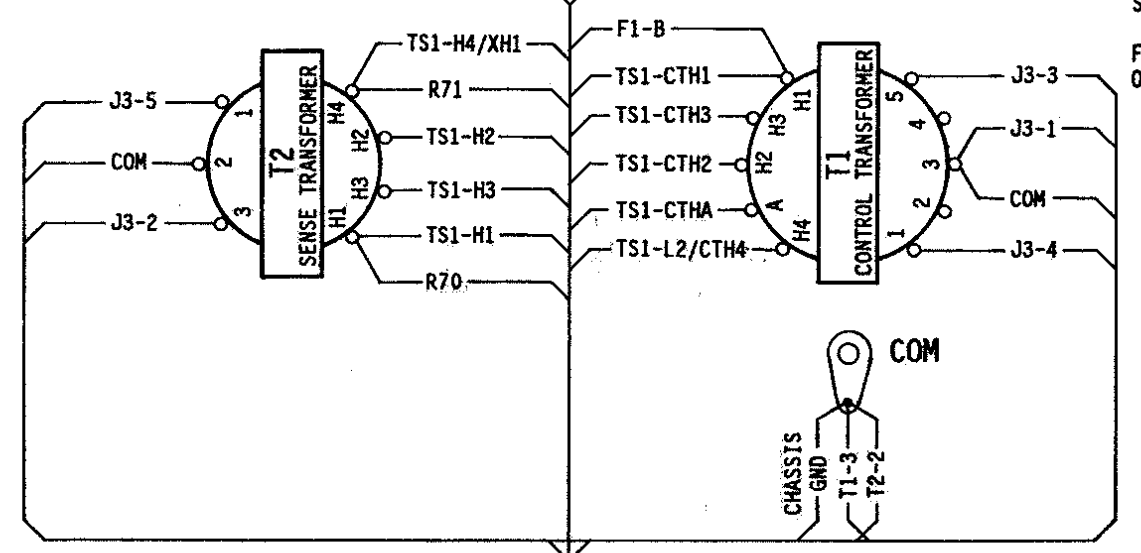
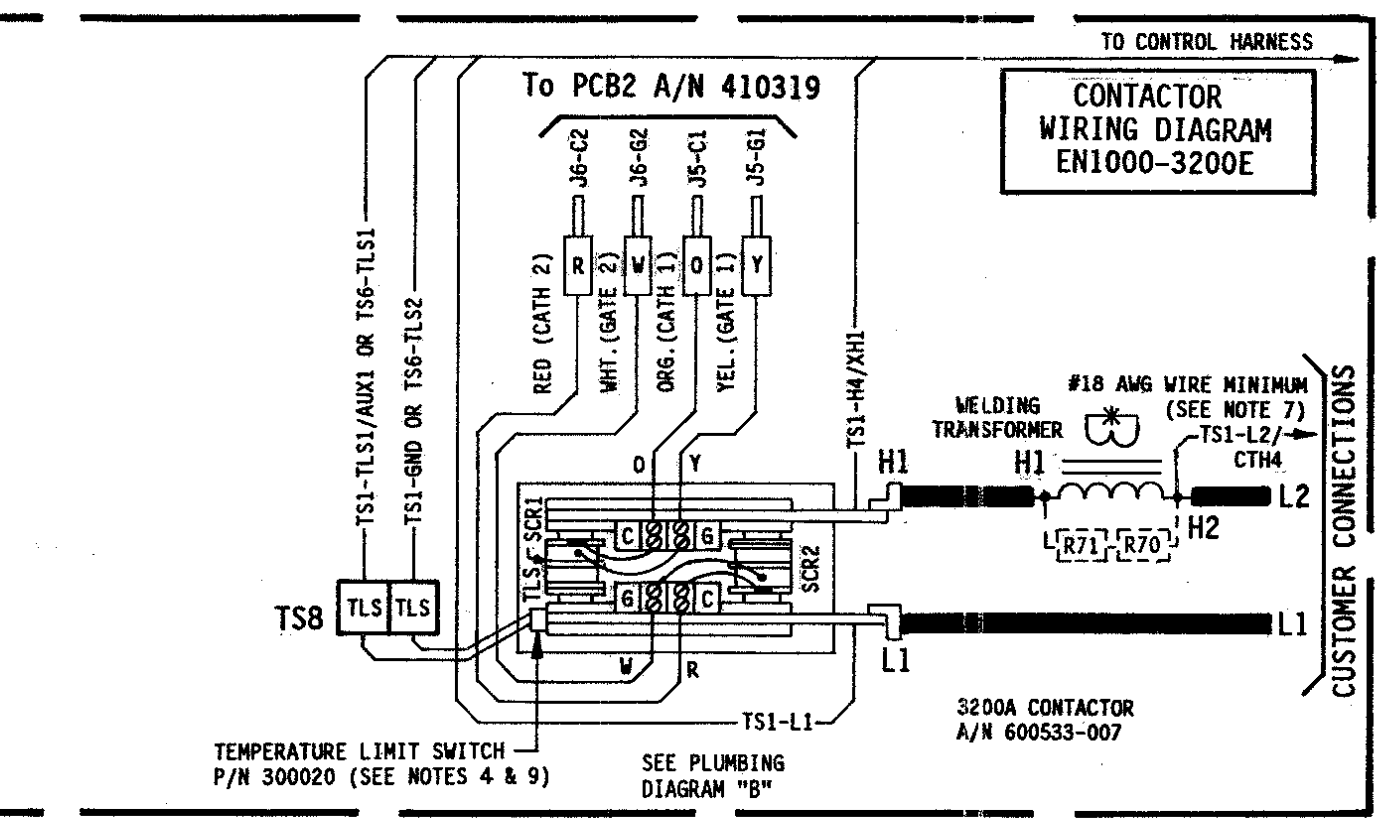
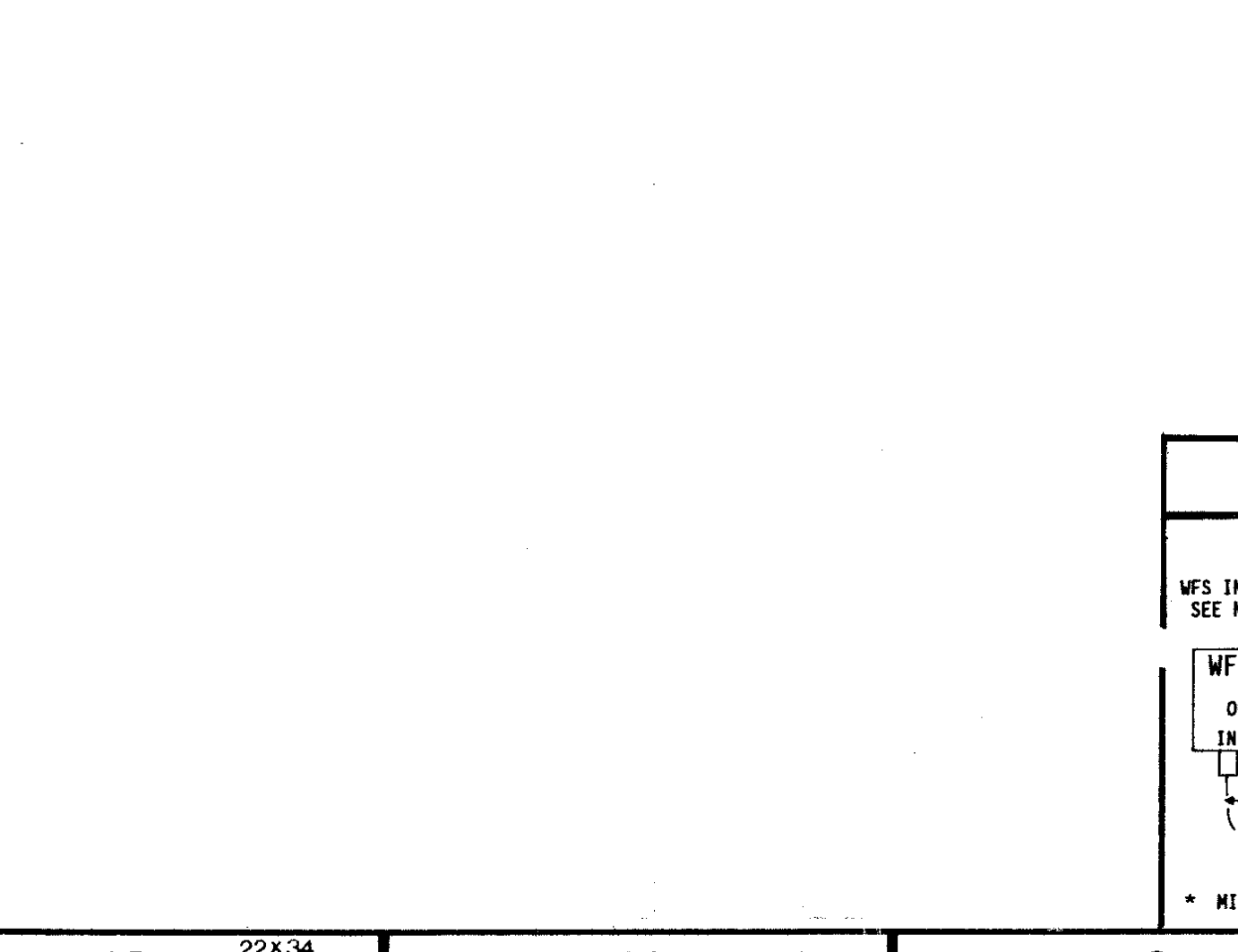
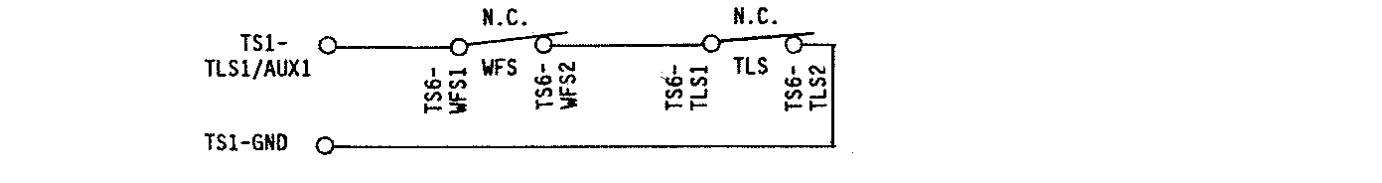


Table with 4 columns: QTY, DESIG., PART NO., DESCRIPTION. Lists parts for the control section.

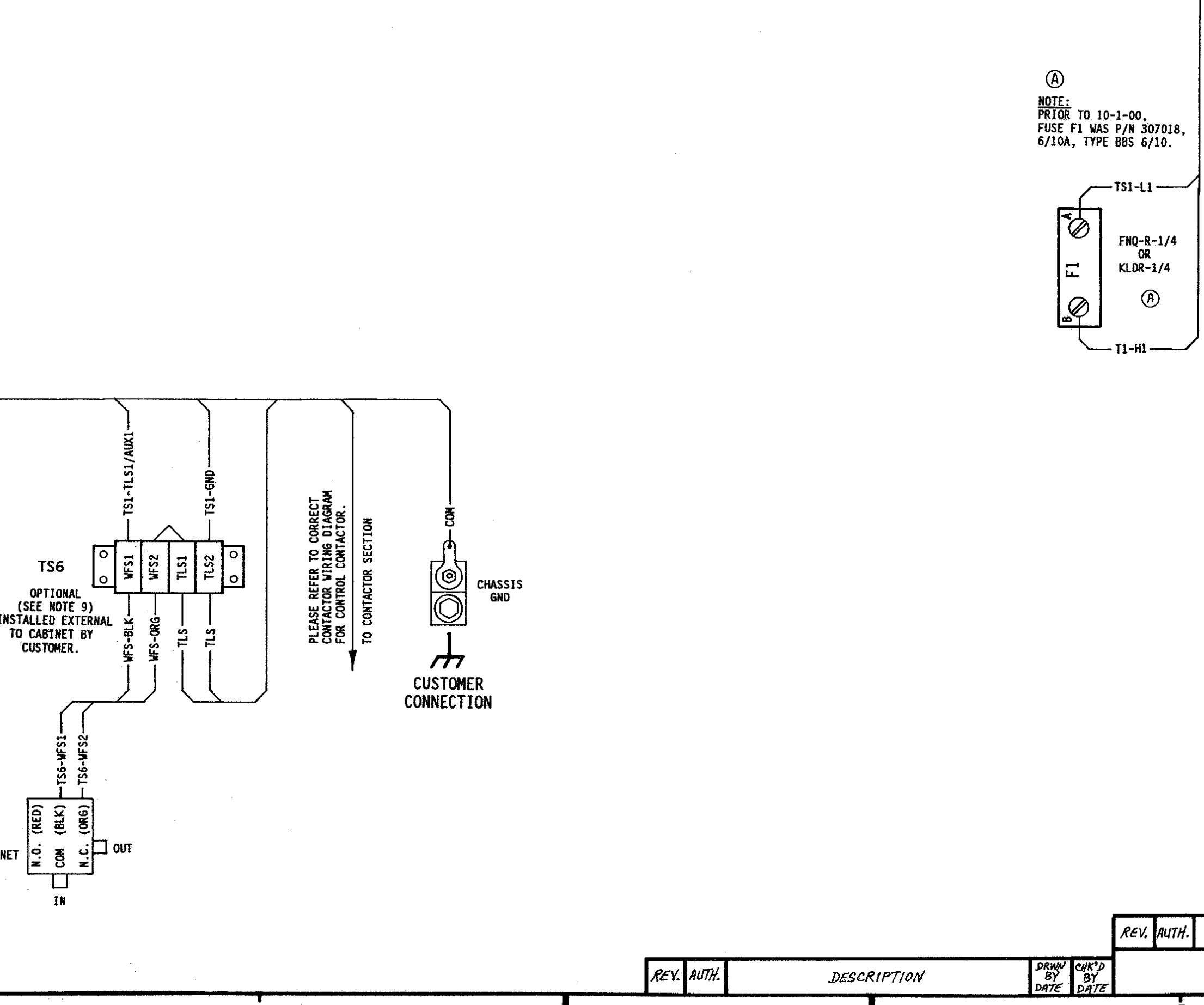
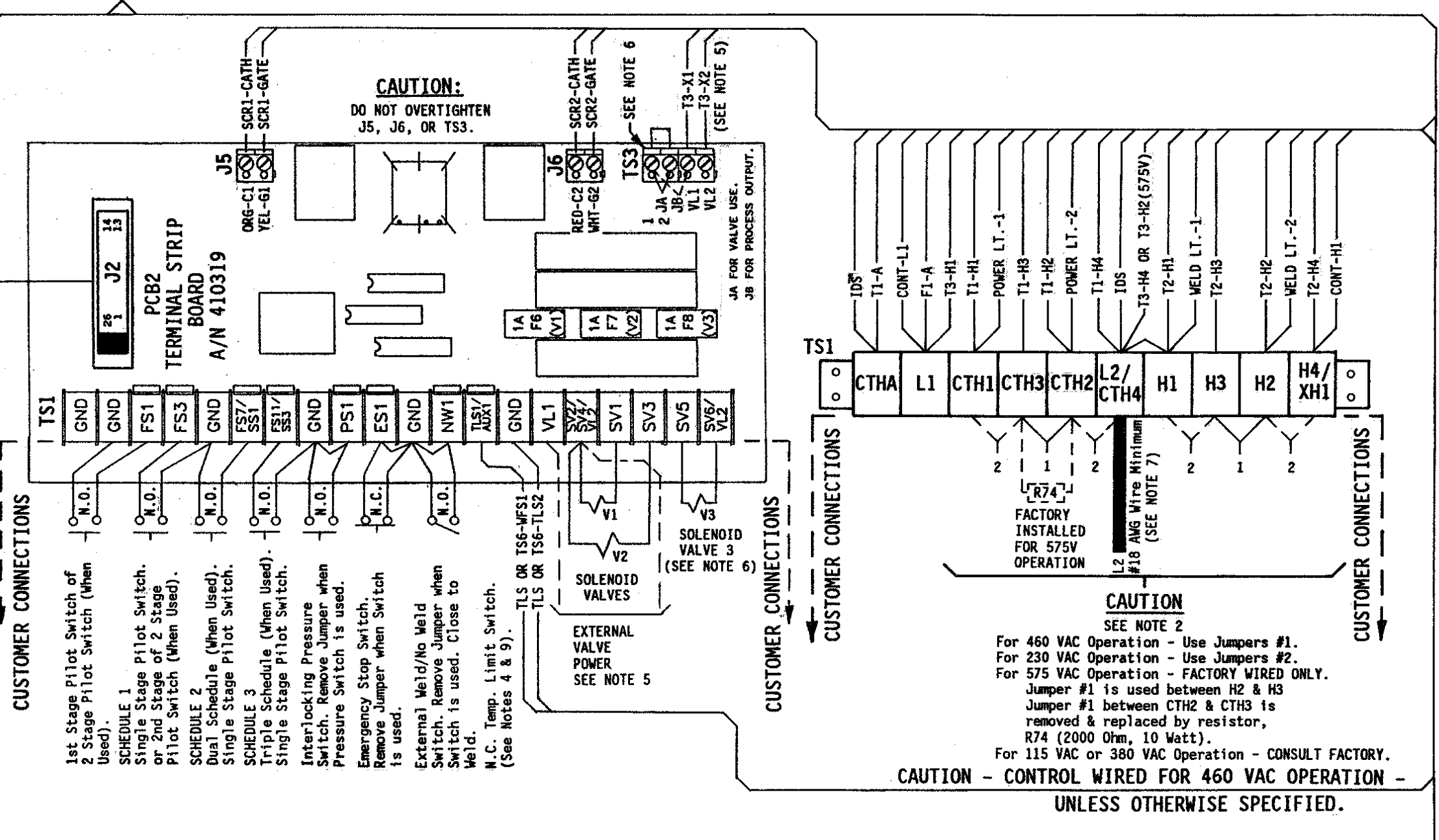
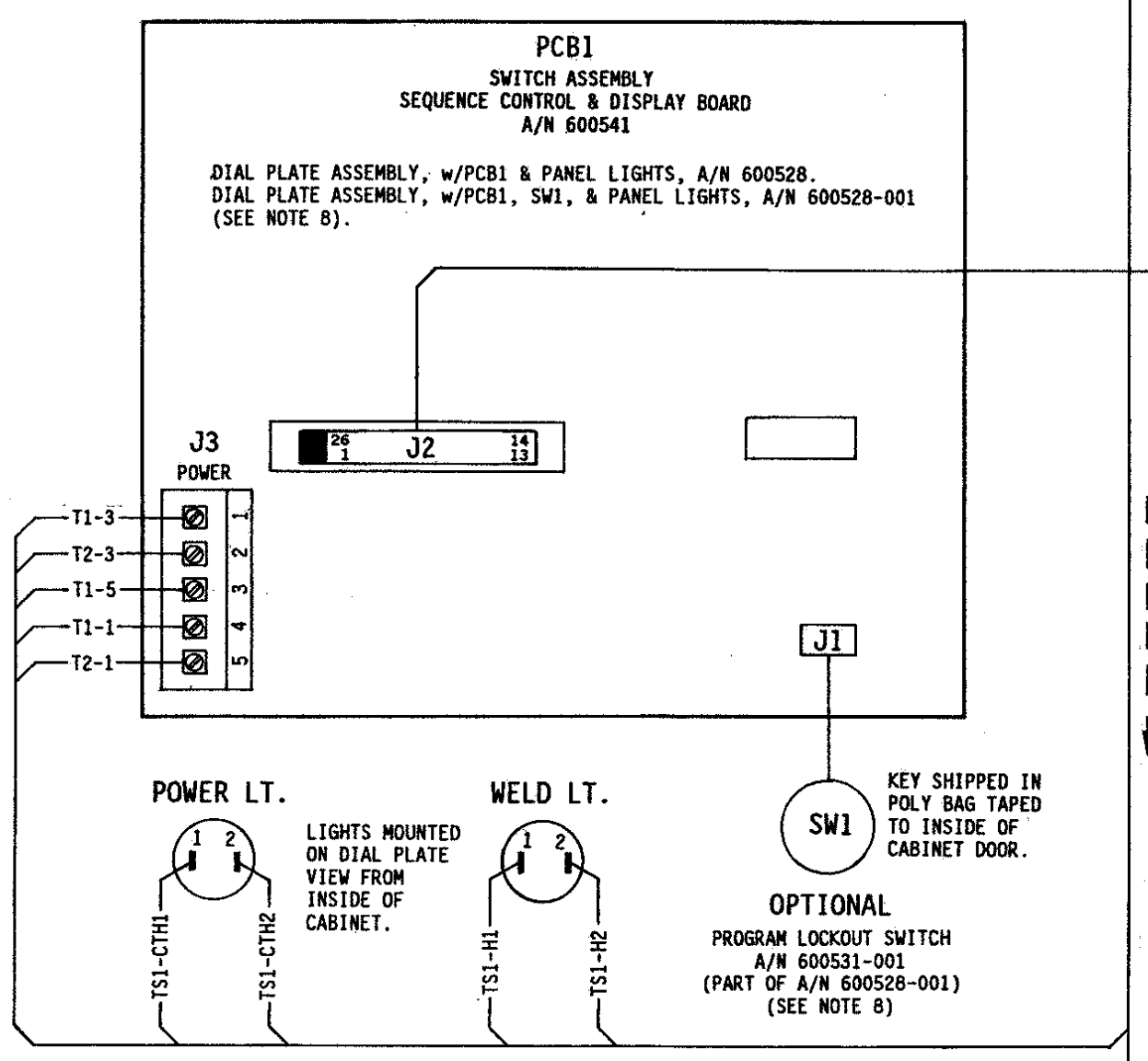
Table with 4 columns: QTY, DESIG., PART NO., DESCRIPTION. Lists parts for the contactor section.



- Notes 1-9 detailing installation and operation instructions, including voltage requirements and safety warnings.



* MINIMUM HOSE LENGTH PER CONNECTION - 18"



Optional Keylock when specified by customer. See Note 8. Pack Key in Poly Bag 900148 & attach to Door w/Yellow Tape 900118.

MANUFACTURING INSTRUCTIONS: See Drawing #440445 for Packing Instructions "E" Cabinet. See Drawing #600550-004 FOR MECHANICAL ASSEMBLY INSTRUCTIONS.

Revision table with columns: REV, AUTH, DESCRIPTION, DATE, and drawing status (DRAWN, CHK'D, BY, DATE).

ENTRON CONTROLS INC

WIRING DIAGRAM, EN1000-3200, "E" CABINET. DRAWING NUMBER 421212-008 B