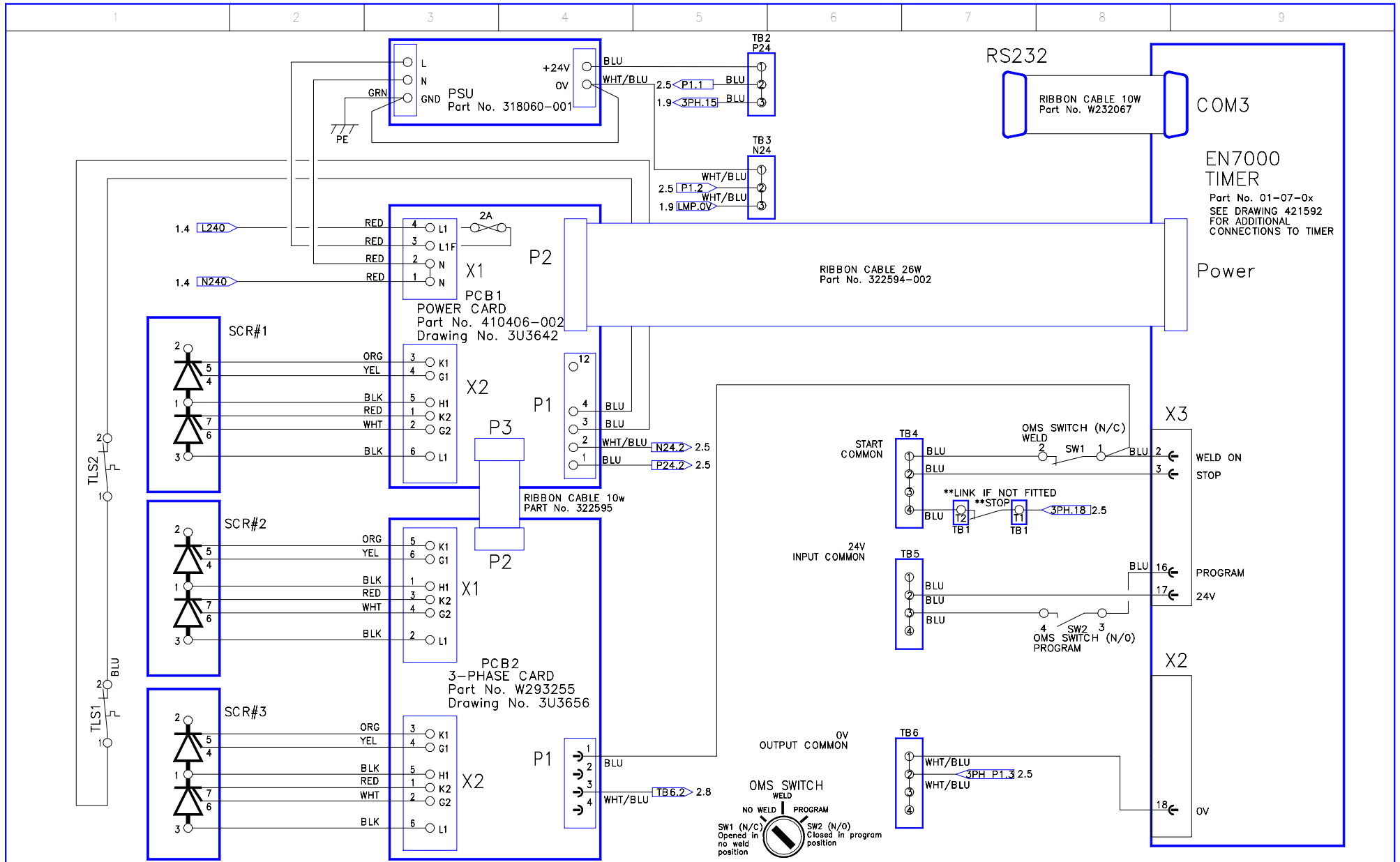


DATE:	3-4-26
DRAWN:	Z.C
CHECKED:	

ENTRON
CONTROLS

TITLE: EN7000
3-PHASE WIRING

DRAWING No:	421595
ISSUE No:	2
SHEET No:	1 of 2



DATE:	3-4-26
DRAWN:	Z.C.
CHECKED:	

ENTRON
CONTROLS

TITLE: EN7000
3-PHASE WIRING

DRAWING No:	421595
ISSUE No:	2
SHEET No:	2 of 2