

APPLICATION NOTE 700110D EN1000 VALVE SELECT 1 OF 7 OPTION

ENTRON Model: VS

The ENTRON VALVE SELECT 1 OF 7 OPTION provides additional 7 valve output circuits on standard EN1000 Series Controls. As can be seen in Table 1, the additional 7 outputs provide a unique 1 of 7 selection from the first 3 valve outputs. The option is available in the “E”, “T/D”, and “L” Cabinets.

Table 1. VALVE SELECT 1 OF 7 codes

CODE	SV1	SV3	SV5	SV7	SV9	SV11	SV13	SV15	SV17	SV19
00										
01	X			X						
02		X			X					
03	X	X				X				
04			X				X			
05	X		X					X		
06		X	X						X	
07	X	X	X							X

When the control is in PROGRAM mode and selection of VALVE code is being made, the valve indicator LEDs will indicate the selected valve(s). The valve output(s) will not be energized while in PROGRAM mode.

For further programming information, see appropriate Instruction Manual.

A typical interconnection diagram is shown in Figure 1.

NOTICE

The valve outputs indicated above are not intended to be used with PROCESS OUTPUTS. See EXTENDED FUNCTIONS section in Instruction Manual.

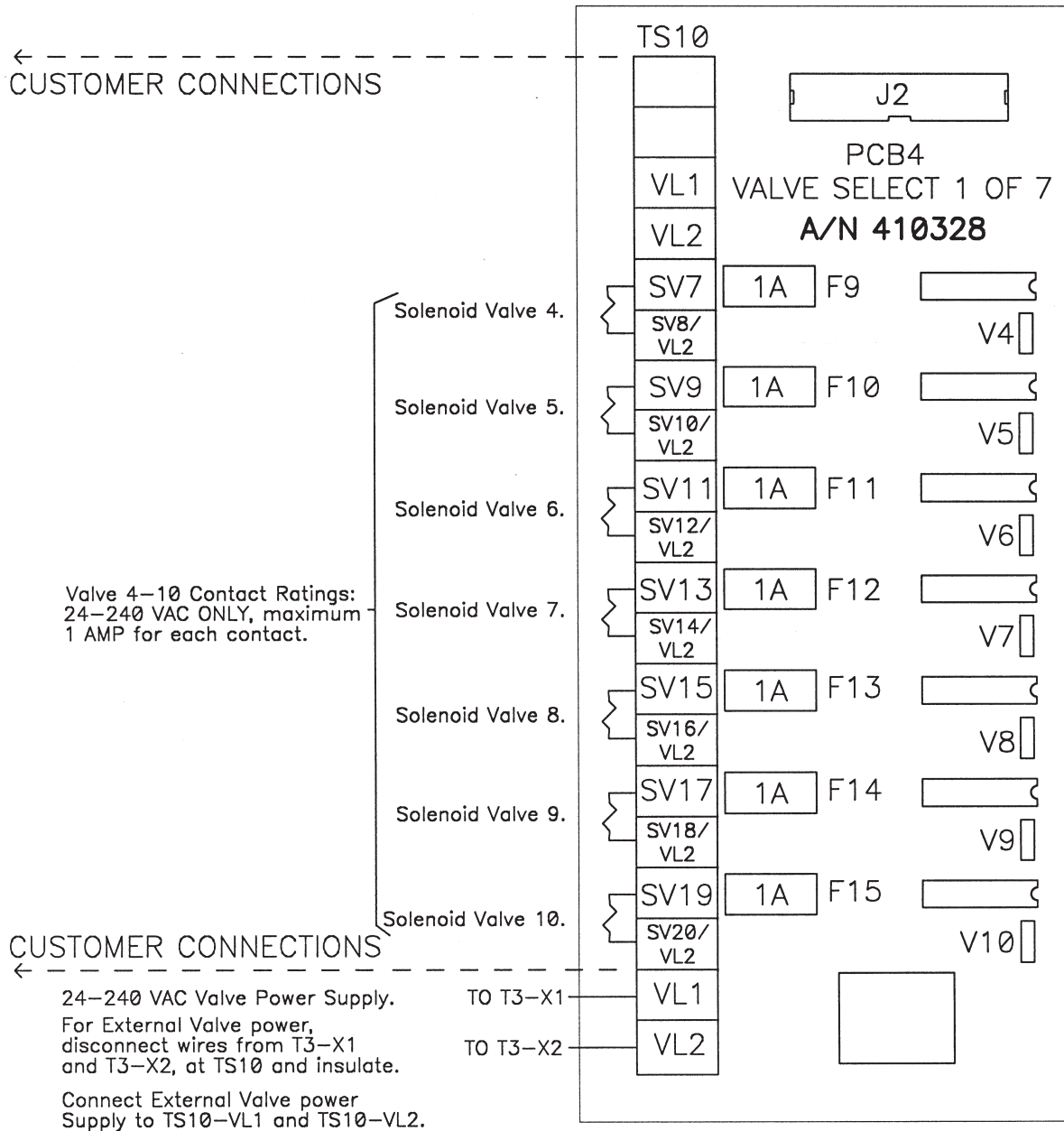


Figure 1. EN1000 VALVE SELECT 1 OF 7 interconnection diagram

CUSTOMER INSTALLATION OF 1 OF 7 VALVE SELECT PCB In an existing “E” Cabinet

KIT ASSEMBLY NO. 600634-001

Parts List

1	421212-001	Wiring Diagram, EN1000/VS-Series, “E” Cabinet
1	410328	Assembly, PCB, 1 of 7 Valve Select
1	525125	Bracket, Terminal Strip Bd. Mounting
1	510236	Assembly, PCB Mounting Plate
1	322337-001	Harness Assembly, J2-J2-J2
1	322444	Harness Assembly, 1 of 7 Valve Select Bd. to T3
10	557006	6-32 x 3/8 PHSMS, Phil., Brite
6	557017	#6 Med. Split Lockwasher
3	557018	6-32 x 1/4 A/F Hex Nut

1. Remove **ALL** power to control. Open door.
2. Remove J2-J2-J2 harness from Control Board/Terminal/Firing Board.

3. Drill and tap rear panel per Figure 2, be sure to vacuum or otherwise remove **ALL** metal chips before assembling Terminal Strip Mounting Bracket (P/N 525125) to rear panel using 3 ea. 6-32 x 3/8 PHSMS, Phil Brite, from the outside and 3 ea. #6 Med. Split Lockwashers and 3 ea. 6-32 x 1/4 A/F Hex Nuts on the inside.

4. Mount the PCB Mounting Plate Assembly (P/N 510236) to the Terminal Strip Mounting Bracket using 3 ea. 6-32 x 3/8 PHSMS, Phil, Brite and 3 ea. #6 Med. Split Lockwashers.

5. Mount the 1 of 7 Valve Select PCB (A/N 410328) to bracket (P/N 510236) using four (4) #6-32 x 3/8 PHSMS, Phil, Brite. See Figure 2.

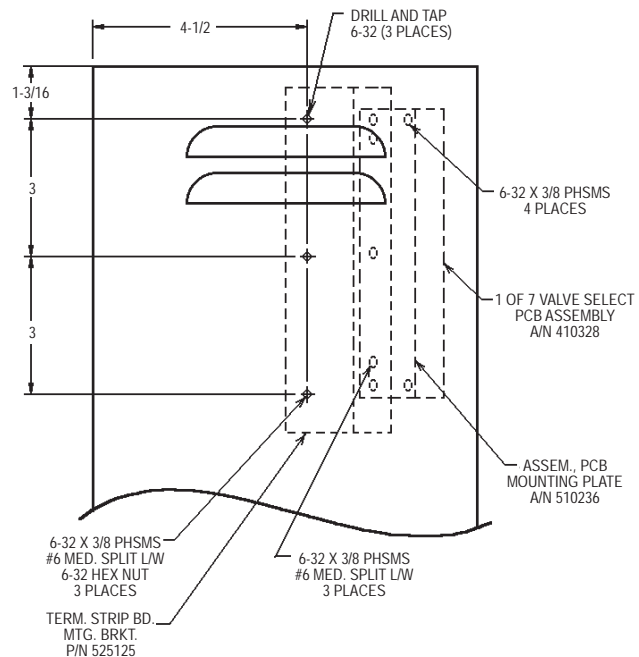


Figure 2. “E” Cabinet mounting detail

6. Connect J2-J2-J2 Harness (A/N 322337-001) per Wiring Diagram included with this kit.

NOTICE

On the Wiring Diagram, the dark band on connectors indicates stripe on ribbon harness. Harness **MUST** be installed with ribbon harness stripe oriented correctly.

7. Connect the two wire harness (A/N 322444) from T3-X1 and T3-X2 to TS10-VL1 and TS10-VL2 per Wiring Diagram included with this kit.
8. Close door. Reapply power.

CUSTOMER INSTALLATION OF 1 OF 7 VALVE SELECT PCB In an existing “T/D” or “L” Cabinet

KIT ASSEMBLY NO. 600634-002

Parts List

1	421210-003	Wiring Diagram, EN1000/VS-Series, T/D/L Cabinet
1	421269-007	Wiring Diagram, EN1001/VS-Series, T/D/L Cabinet
1	410328	Assembly, PCB, 1 of 7 Valve Select
1	322337-002	Harness Assembly, J2-J2-J2
1	322444	Harness Assembly, 1 of 7 Valve Select Bd. to T3
4	557003	6-32 x 1/4 PHSMS, Phil., Brite

1. Remove **ALL** power to control. Open door.
2. Remove J2-J2-J2 harness from Control Board/Terminal/Firing Board.
3. Mount the 1 of 7 Valve Select PCB (A/N 410328) to standoffs on rear panel using four (4) #6-32 x 1/4 PHSMS, Phil, Brite. See Figure 3.
4. Connect J2-J2-J2 Harness (A/N 322337-002) per Wiring Diagram included with this kit.

NOTICE

On the Wiring Diagram, the dark band on connectors indicates stripe on ribbon harness. Harness **MUST** be installed with ribbon harness stripe oriented correctly.

5. Connect the two wire harness (A/N 322444) from T3-X1 and T3-X2 to TS10-VL1 and TS10-VL2 per Wiring Diagram included with this kit.
6. Close door. Reapply power.

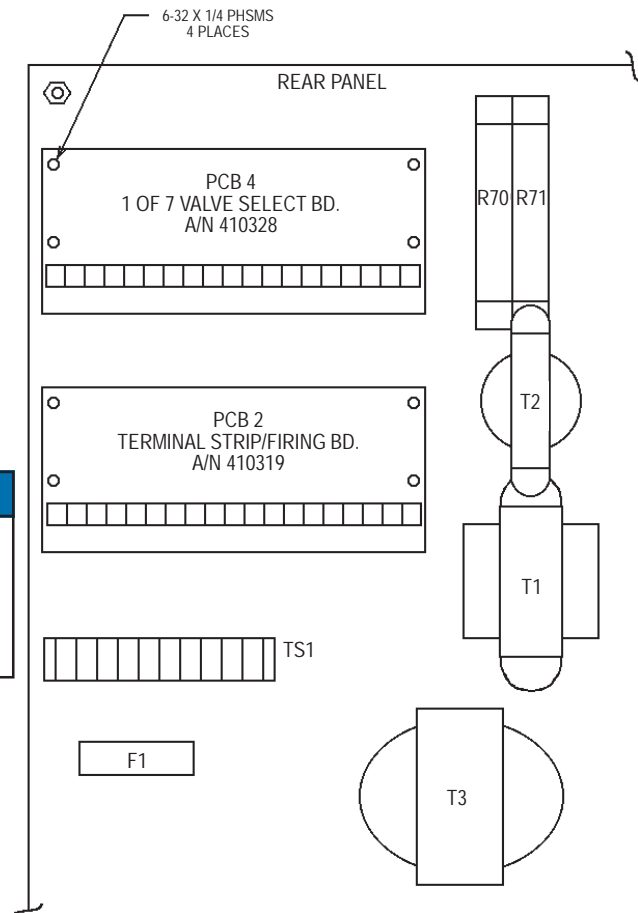


Figure 3. “T/D” or “L” Cabinet mounting detail