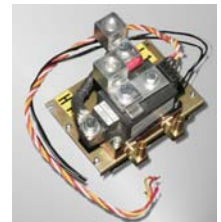


ENTRON™

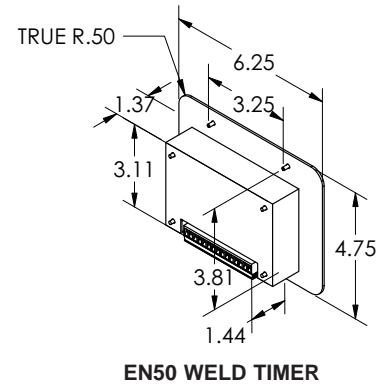
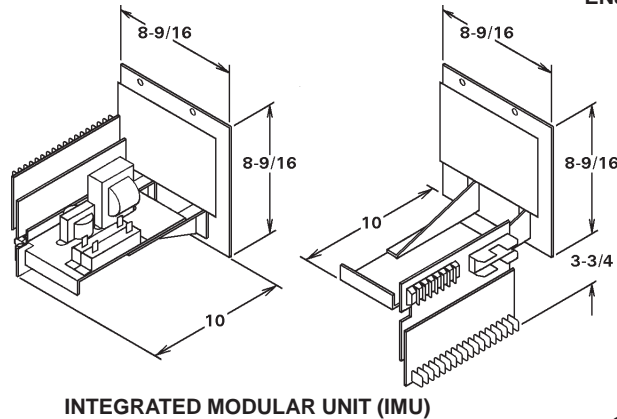
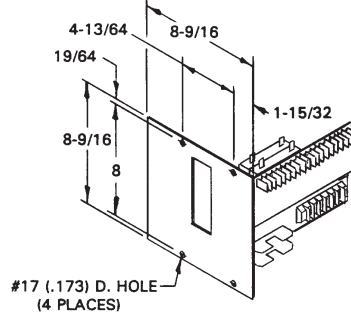
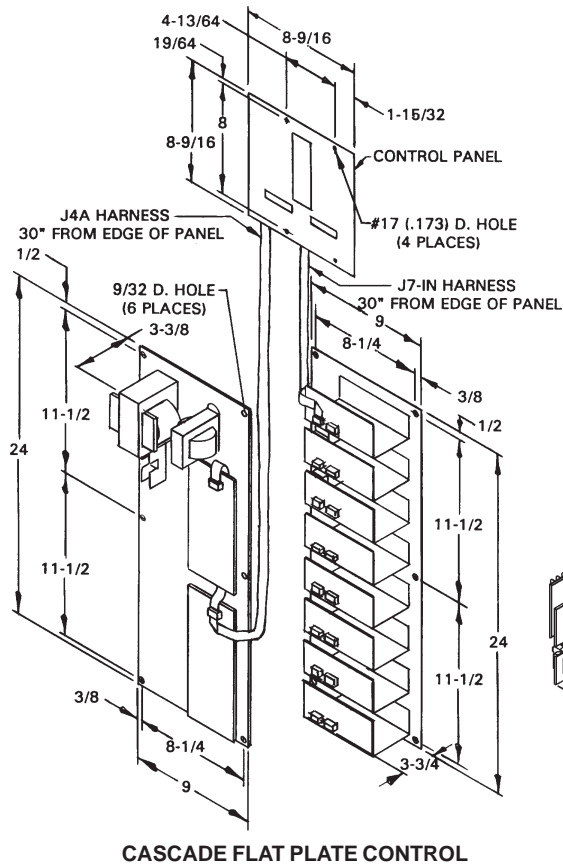
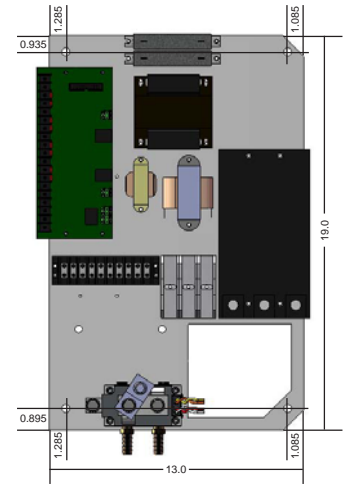
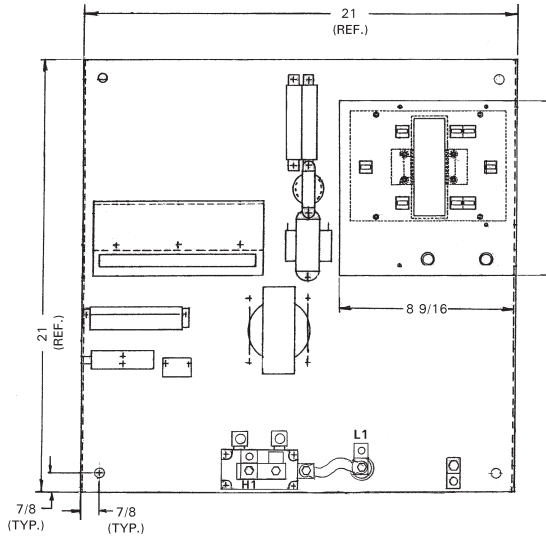
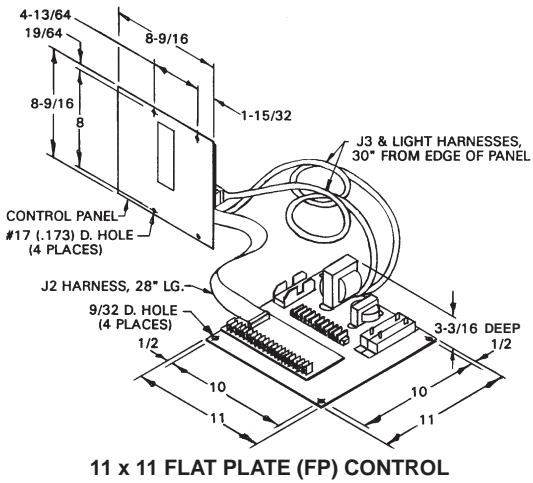
Controls, LLC.

CABINET GUIDE



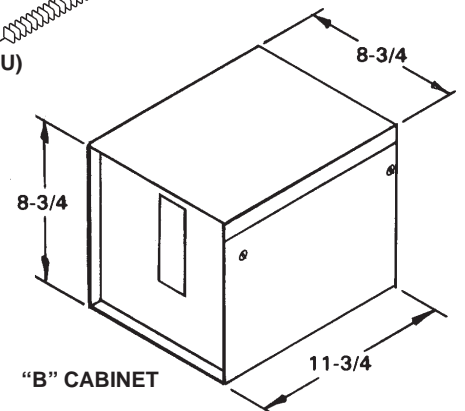
FLAT PLATE

CABINET TYPE	AVAILABLE CONTROL MODELS	CONTACTOR SIZE	MAX. NO. OF CONTACTORS	CIRCUIT BREAKER
FP	EN1000, EN1001, EN1500, EN2000, EN1380	EXT. SCR	1	NOT AVAILABLE
CASCADE FP	EN1000 CASCADE, EN1001 CASCADE	EXT. SCR	UP TO 8	NOT AVAILABLE
IMU	EN1000, EN1001	EXT. SCR	1	NOT AVAILABLE



“B” CABINET

AVAILABLE CONTROL MODELS	CONTACTOR SIZE	MAX. NO. OF CONTACTORS	CIRCUIT BREAKER
EN1000-B, EN1001-B, EN1500, EN1280, EN1380, EN2130, EN2150	150A 300A	1 1	NOT AVAILABLE NOT AVAILABLE



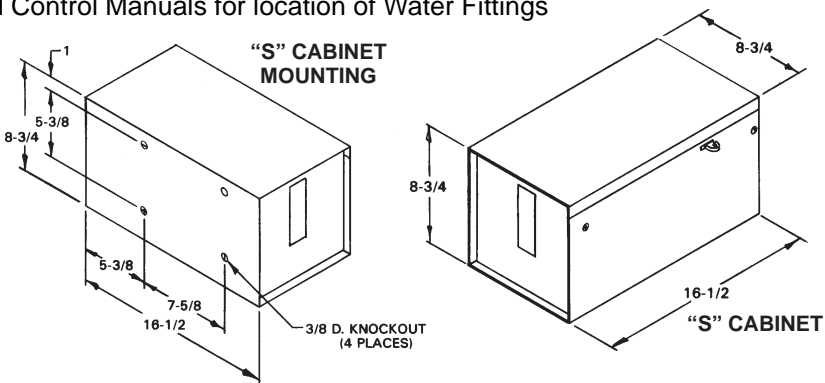
NOTE: See Weld Control Manuals for location of Water Fittings

“S” CABINET

AVAILABLE CONTROL MODELS
EN1000, EN1001, EN1500, EN2000, EN1380

CONTACTOR SIZE	MAX. NO. OF CONTACTORS
EXT. IGN.	1
EXT. SCR	1
150A	1
300A	1
1200A	1

CIRCUIT BREAKER – NOT AVAILABLE

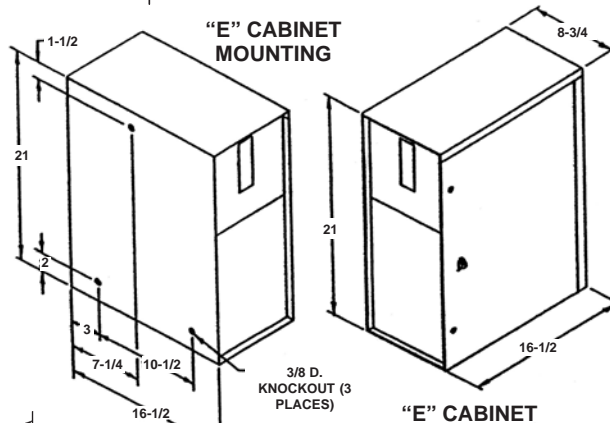


“E” CABINET

AVAILABLE CONTROL MODELS
EN1000, EN1001, EN1500, EN2000, EN1380

CONTACTOR SIZE	MAX. NO. OF CONTACTORS
EXT. IGN.	1
EXT. SCR	1
300A	1
1200A	1
1800A	1
2200A	1
3200A	1

CIRCUIT BREAKER – NOT AVAILABLE

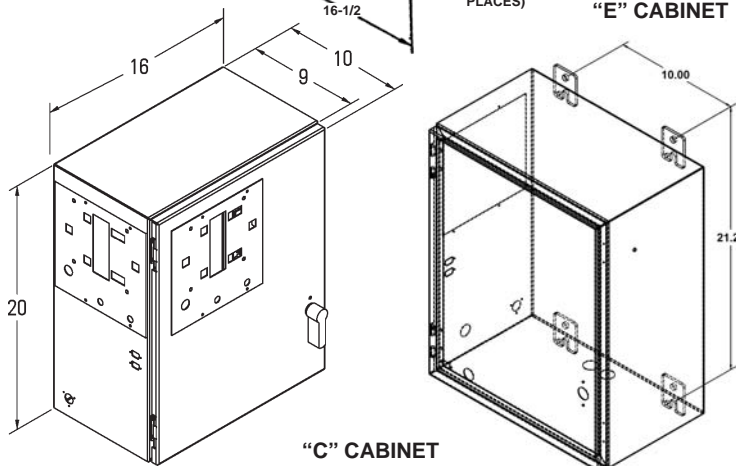


“C” CABINET

AVAILABLE CONTROL MODELS
EN1000, EN1001

CONTACTOR SIZE	MAX. NO. OF CONTACTORS
300A	1
1200A	1

CIRCUIT BREAKER – NOT AVAILABLE



“D/T” CABINET

AVAILABLE CONTROL MODELS
EN1000, EN1001, EN1500, EN2000, EN1003, EN1380,
EN1000 CASCADE, EN1001 CASCADE

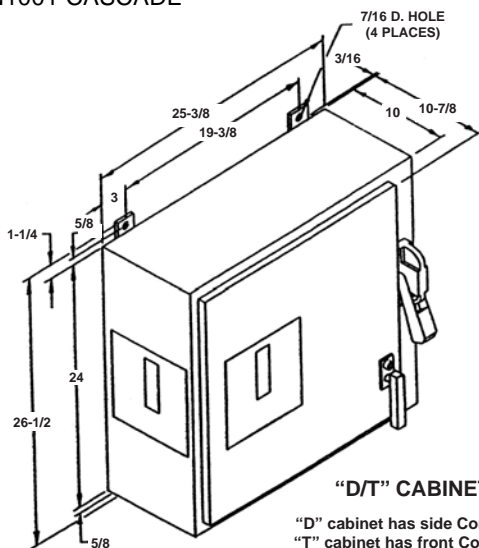
CONTACTOR SIZE	MAX. NO. OF CONTACTORS
EXT. IGN.	2
EXT. SCR	4
300A	3
1200A	3
1800A	1
2200A	1
3200A	1

CIRCUIT BREAKER
100, 200, OR 400A, 2 OR 3 POLE

EN1701 CONTROL MODELS

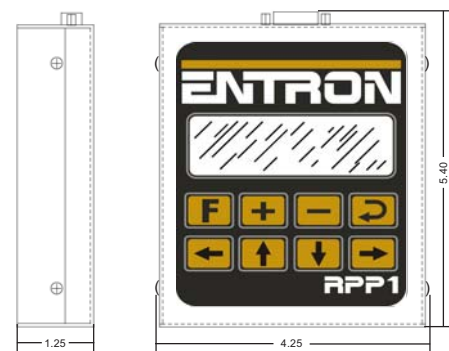
CONTACTOR SIZE	MAX. NO. OF CONTACTORS
360A	1
600A	1

CIRCUIT BREAKER
100 OR 200A, 3 POLE



“D/T” CABINET
“D” cabinet has side Control Panel
“T” cabinet has front Control Panel
EN1701 in “T” cabinet only with different door configuration

RPP1 (REMOTE PROGRAMMING PENDANT)
FOR USE WITH CONTROL MODELS
EN1701



NOTE: See Weld Control Manuals for location of Water Fittings

“L” CABINET

AVAILABLE CONTROL MODELS
 EN1000, EN1001, EN2000, EN1003, EN1000 CASCADE,
 EN1001 CASCADE, MULTIPLE EN1000, MULTIPLE EN1001,
 EN6041

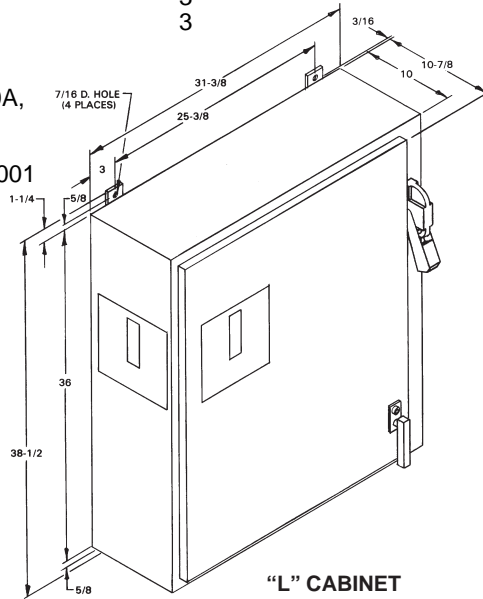
CONTACTOR SIZE	MAX. NO. OF CONTACTORS
EXT. IGN.	6
EXT. SCR	8
300A	4
1200A	3
1800A	3
2200A	3
3200A	3

CIRCUIT BREAKER
 100, 200, 400, 600 OR 800A,
 2 OR 3 POLE
 NOT AVAILABLE ON
 MULTIPLE EN1000 & EN1001

EN1701 CONTROL MODELS

CONTACTOR SIZE	MAX. NO. OF CONTACTORS
360A	1
600A	1
1000A	1

CIRCUIT BREAKER
 100 OR 200A,
 3 POLE



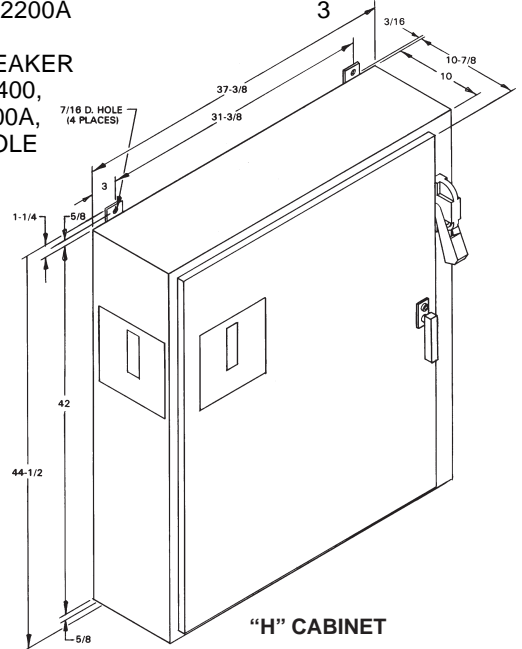
“L” CABINET

“H” CABINET

AVAILABLE CONTROL MODELS
 EN1000, EN1001, EN2000, EN1003, EN1000 CASCADE,
 EN1001 CASCADE, MULTIPLE EN1000, MULTIPLE EN1001

CONTACTOR SIZE	MAX. NO. OF CONTACTORS
EXT. IGN.	8
300A	6
1200A	4
1800A	4
2200A	3

CIRCUIT BREAKER
 100, 200, 400,
 600 OR 800A,
 2 OR 3 POLE



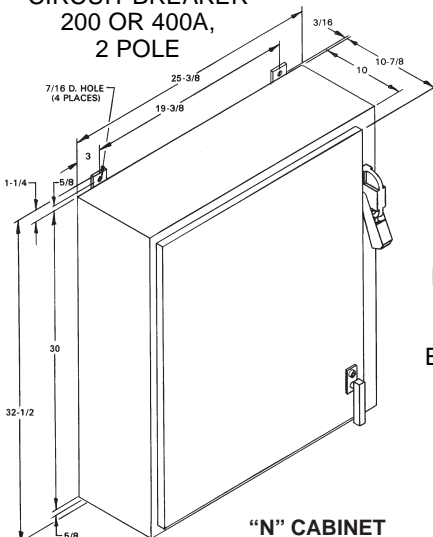
“H” CABINET

“N” CABINET

AVAILABLE CONTROL MODELS
 EN6021, EN6041

CONTACTOR SIZE	MAX. NO. OF CONTACTORS
EXT. SCR	2-8
300A	1
1200A	1
1800A	1
2200A	1
3200A	1

CIRCUIT BREAKER
 200 OR 400A,
 2 POLE



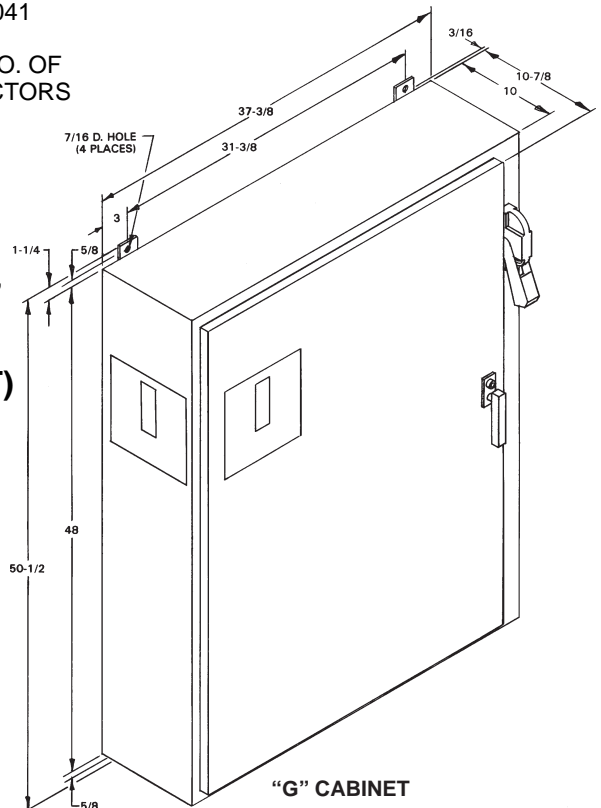
“N” CABINET

“G” CABINET

AVAILABLE CONTROL MODELS
 EN1000, EN1001, EN2000, EN1003, EN1000 CASCADE,
 EN1001 CASCADE, MULTIPLE EN1000, MULTIPLE EN1001,
 EN6041

CONTACTOR SIZE	MAX. NO. OF CONTACTORS
300A	6
1200A	6
1800A	5
2200A	4

CIRCUIT BREAKER
 100, 200, 400, 600 OR 800A,
 2 OR 3 POLE



“G” CABINET

RPP2 (REMOTE PROGRAMMING PENDANT)

FOR USE WITH
 CONTROL
 MODELS
 EN6021, EN6041



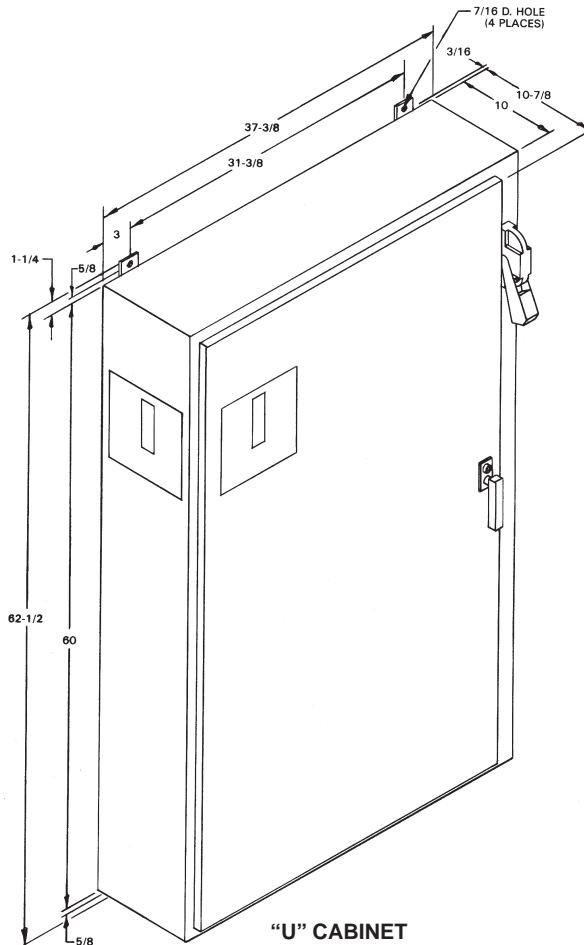
NOTE: See Weld Control Manuals for location of Water Fittings

“U” CABINET

AVAILABLE CONTROL MODELS
 EN1000, EN1001, EN2000, EN1003, EN1000 CASCADE,
 EN1001 CASCADE, MULTIPLE EN1000, MULTIPLE EN1001,
 EN6041

CONTACTOR SIZE	MAX. NO. OF CONTACTORS
300A	8
1200A	8
1800A	6
2200A	6

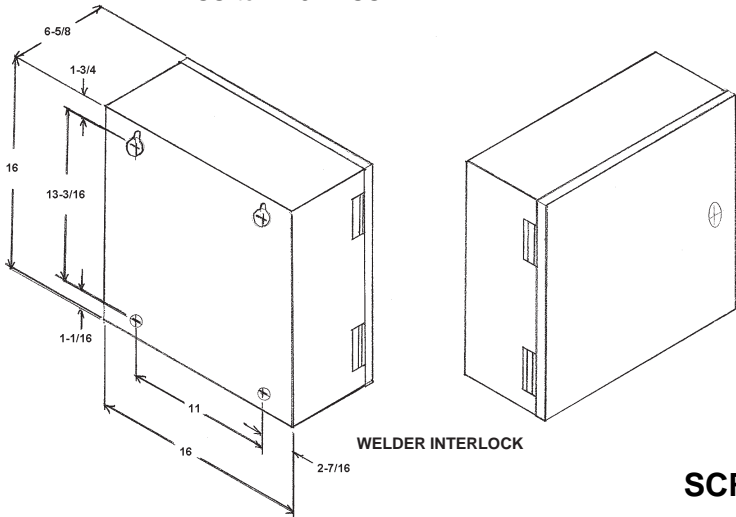
CIRCUIT BREAKER
 100, 200, 400,
 600 OR 800A,
 2 OR 3 POLE



“U” CABINET

WELDER INTERLOCK

EN2WI-SS to EN8WI-SS



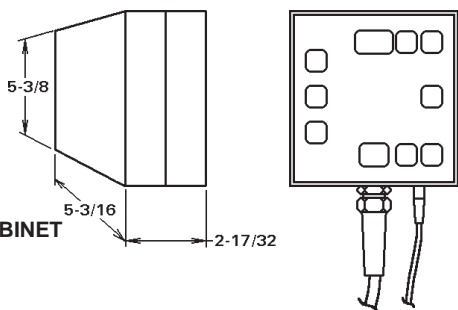
WELDER INTERLOCK

SCR CONTACTOR ASSEMBLIES

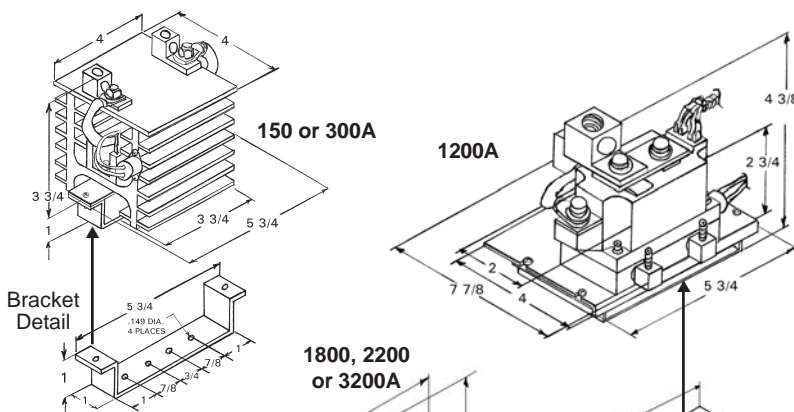
EN(X)-150/300, EN(X)-1200, EN(X)-1800/2200/3200

REMOTE TERMINAL CABINET (RT4jr.)

Used for remote, long distance mounting of Control Panel via RS485 for EN1000, EN1001 and EN2000 Controls



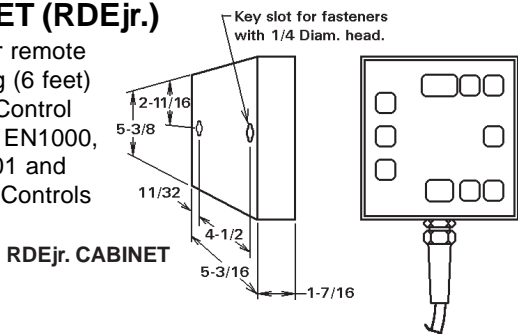
RT4jr. CABINET



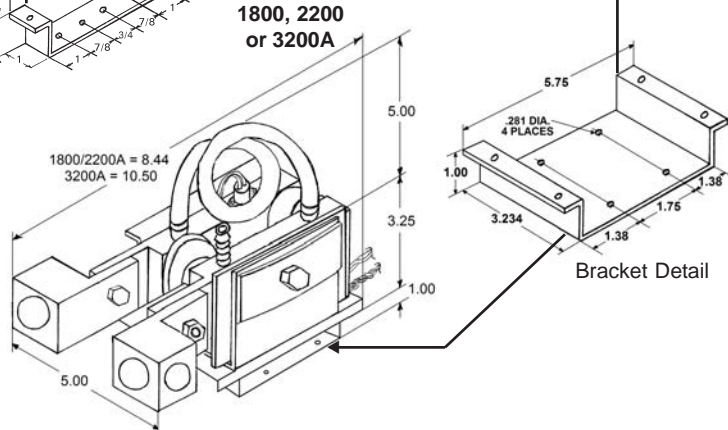
Bracket Detail

REMOTE DATA ENTRY CABINET (RDEjr.)

Used for remote mounting (6 feet) of the Control Panel for EN1000, EN1001 and EN2000 Controls



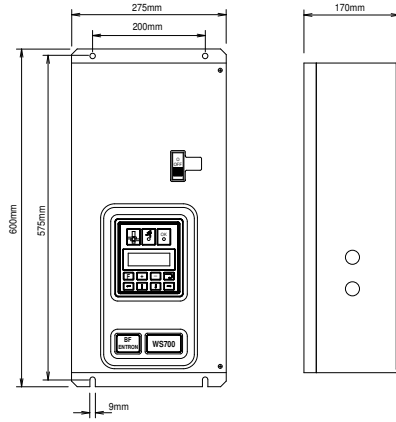
RDEjr. CABINET



Bracket Detail

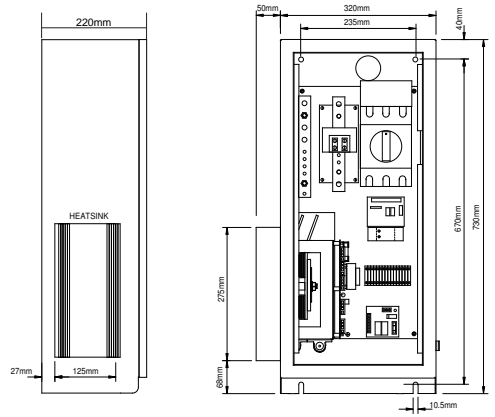
SIZE 0+ CABINET

AVAILABLE CONTROL MODELS
WS500, WS700L



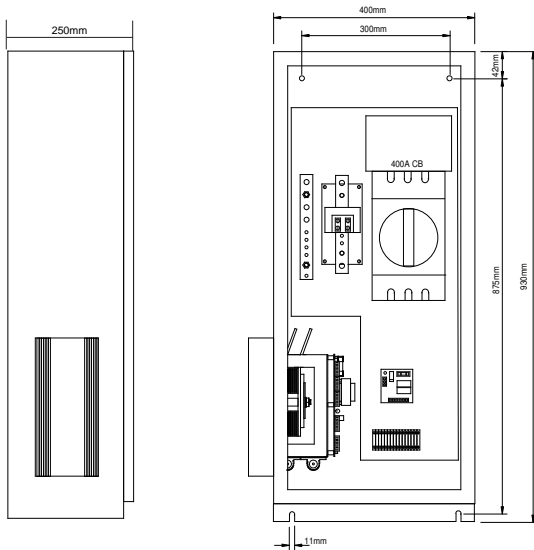
SIZE 1 CABINET

AVAILABLE CONTROL MODELS
WS4000



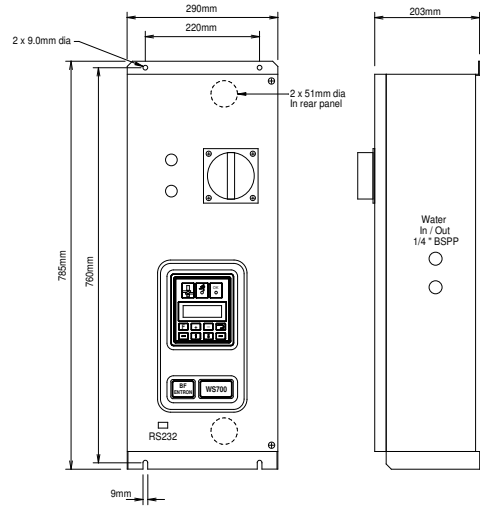
SIZE 2 CABINET

AVAILABLE CONTROL MODELS
WS700, WS2003



SIZE 1L CABINET

AVAILABLE CONTROL MODELS
WS700, WS2003

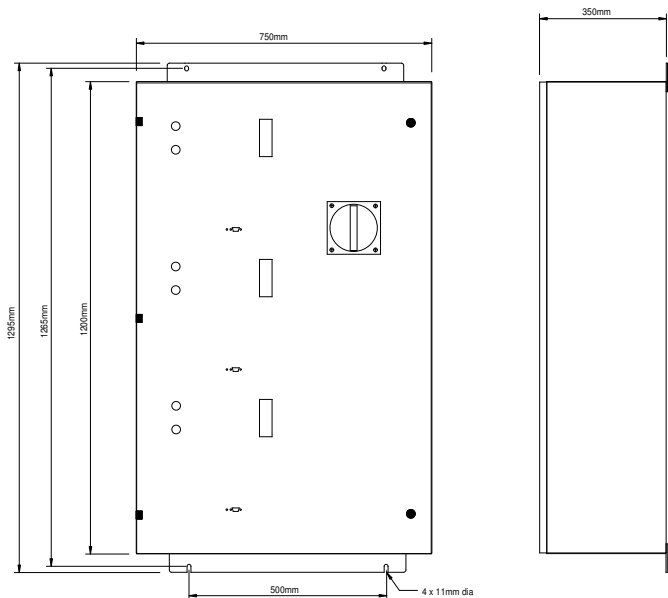
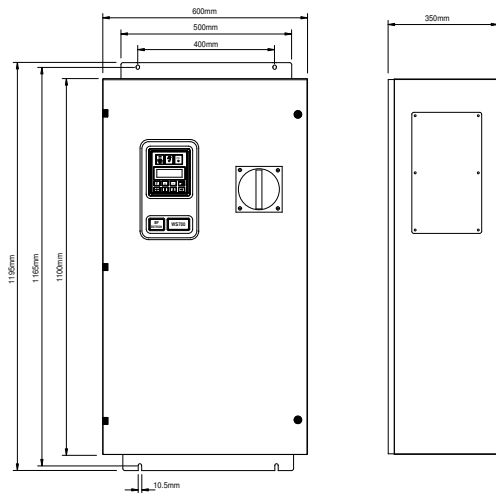


MULTIWELD CABINET

AVAILABLE CONTROL MODELS
WS4000

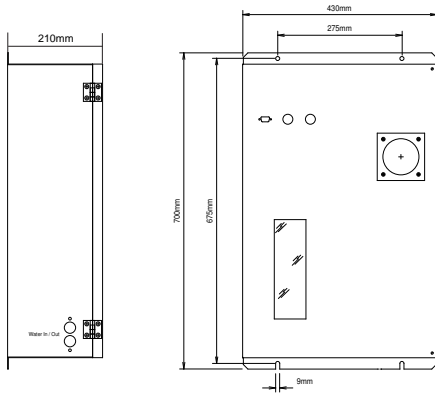
SIZE 3 CABINET

AVAILABLE CONTROL MODELS
WS700, WS2003

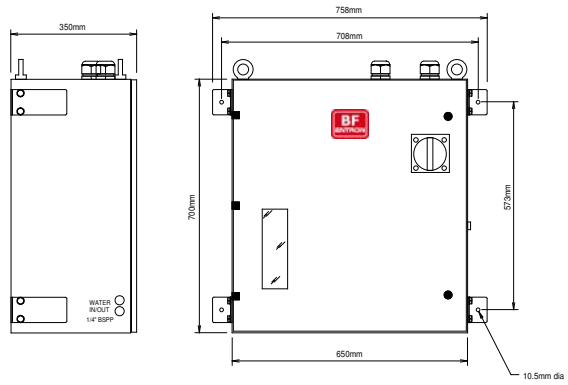


iPAK CABINETS

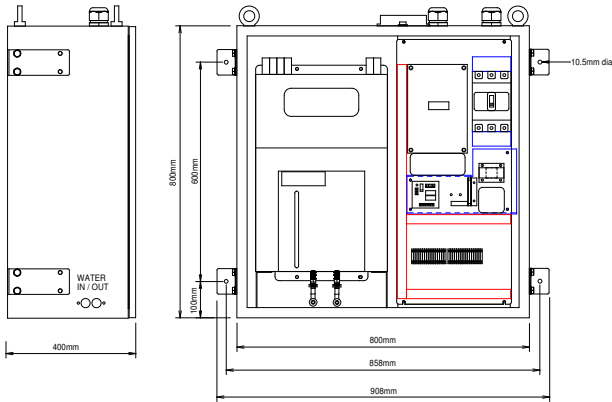
AVAILABLE CONTROL MODELS
iPAK 150A



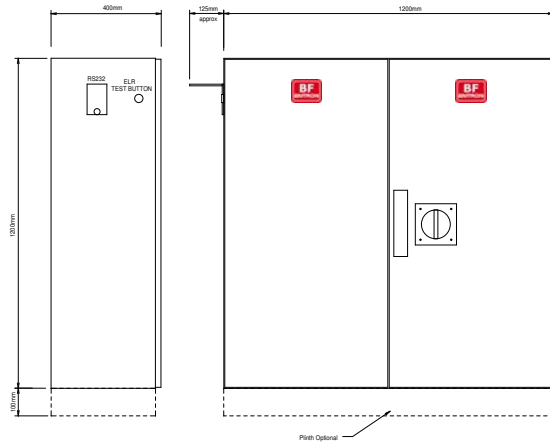
AVAILABLE CONTROL MODELS
iPAK 360/600A



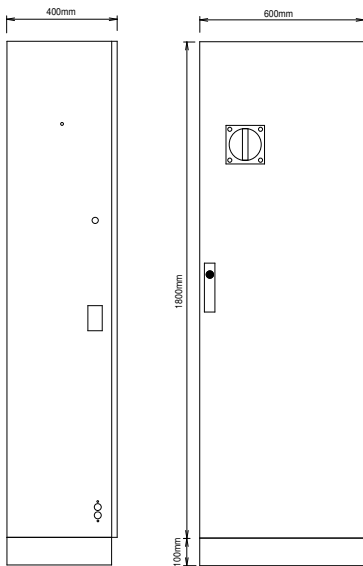
AVAILABLE CONTROL MODELS
iPAK 1000A



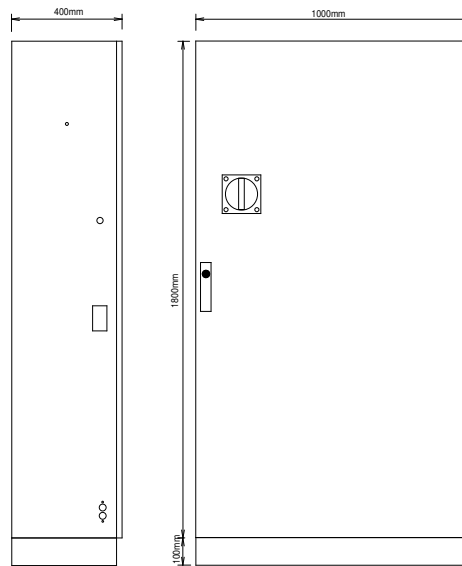
AVAILABLE CONTROL MODELS
iPAK LMI 1500A SHORT



AVAILABLE CONTROL MODELS
iPAK LMI 1500A



AVAILABLE CONTROL MODELS
iPAK LMI 3000A



CABINET	TYPE OF CONTROL	CONTACTOR SIZE	MAX # OF CONTACTORS	CIRCUIT BREAKER
FP	EN1000, EN1001, EN1500, EN2000, EN1380	EXT. SCR	1	NOT AVAILABLE
FP	EN1000 CASCADE, EN1001 CASCADE	EXT. SCR	UP TO 8	NOT AVAILABLE
IMU	EN1000, EN1001	EXT. SCR	1	NOT AVAILABLE
B	EN1000-B, EN1001-B, EN1500, EN1280, EN1380, EN2130, EN2150	150A 300A	1 1	NOT AVAILABLE
S	EN1000, EN1001, EN1500, EN2000, EN1380	EXT. IGN. EXT. SCR 150A 300A 1200A	1 1 1 1 1	NOT AVAILABLE
E	EN1000, EN1001, EN1500, EN2000, EN1380	EXT. IGN. EXT. SCR 300A 1200A 1800A 2200A 3200A	1 1 1 1 1 1 1	NOT AVAILABLE
C	EN1000, EN1001	300A 1200A	1 1	NOT AVAILABLE
D/T	EN1000, EN1001, EN1500, EN2000, EN1380, EN1003, EN1000 CASCADE, EN1001 CASCADE	EXT. IGN. EXT. SCR 300A 1200A 1800A 2200A 3200A	2 4 3 3 1 1 1	100, 200, OR 400A, 2 OR 3 POLE
T	EN1701	360A 600A	1 1	100 OR 200A, 3 POLE
N	EN6021, EN6041	EXT. SCR 300A 1200A 1800A 2200A 3200A	2-8 1 1 1 1 1	200 OR 400A, 2 POLE
L	EN1000, EN1001, EN2000, EN1003, EN6041, EN1000 CASCADE, EN1001 CASCADE, MULTIPLE EN1000, MULTIPLE EN1001	EXT. IGN. EXT. SCR 300A 1200A 1800A 2200A 3200A	6 8 4 3 3 3 3	100, 200, 400, 600, OR 800A, 2 OR 3 POLE NOT AVAILABLE ON MULTIPLE EN1000/1001
L	EN1701	360A 600A 1000A	1 1 1	100 OR 200A, 3 POLE
H	EN1000, EN1001, EN2000, EN1003, EN1000 CASCADE, EN1001 CASCADE, MULTIPLE EN1000, MULTIPLE EN1001	EXT. IGN. 300A 1200A 1800A 2200A	8 6 4 4 3	100, 200, 400, 600, OR 800A, 2 OR 3 POLE
G	EN1000, EN1001, EN2000, EN1003, EN6041, EN1000 CASCADE, EN1001 CASCADE, MULTIPLE EN1000, MULTIPLE EN1001,	300A 1200A 1800A 2200A	6 6 5 4	100, 200, 400, 600, OR 800A, 2 OR 3 POLE
U	EN1000, EN1001, EN2000, EN1003, EN6041, EN1000 CASCADE, EN1001 CASCADE, MULTIPLE EN1000, MULTIPLE EN1001,	300A 1200A 1800A 2200A	8 8 6 6	100, 200, 400, 600, OR 800A, 2 OR 3 POLE
—	WELDER INTERLOCK	N/A	N/A	N/A

SEE CATALOG FOR AVAILABILITY AND PRICE OF SPECIFIC CABINET/CONTACTOR/CONTROL CONFIGURATIONS.

ENTRONTM

ENTRON Controls, LLC.
1402 S. Batesville Road
Greer, SC 29650
(864) 416-0190
FAX (864) 416-0195
www.entroncontrols.com
e-mail: info@entroncontrols.com

RWMA[®]
MEMBER

780054-0414

Distributed by: