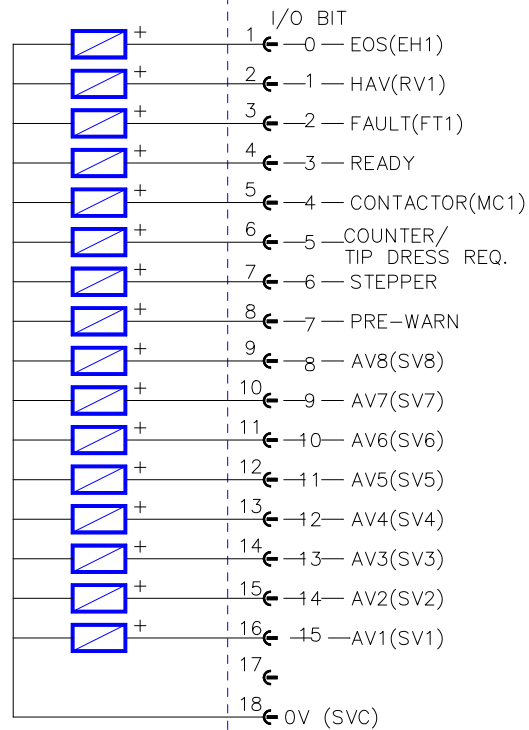
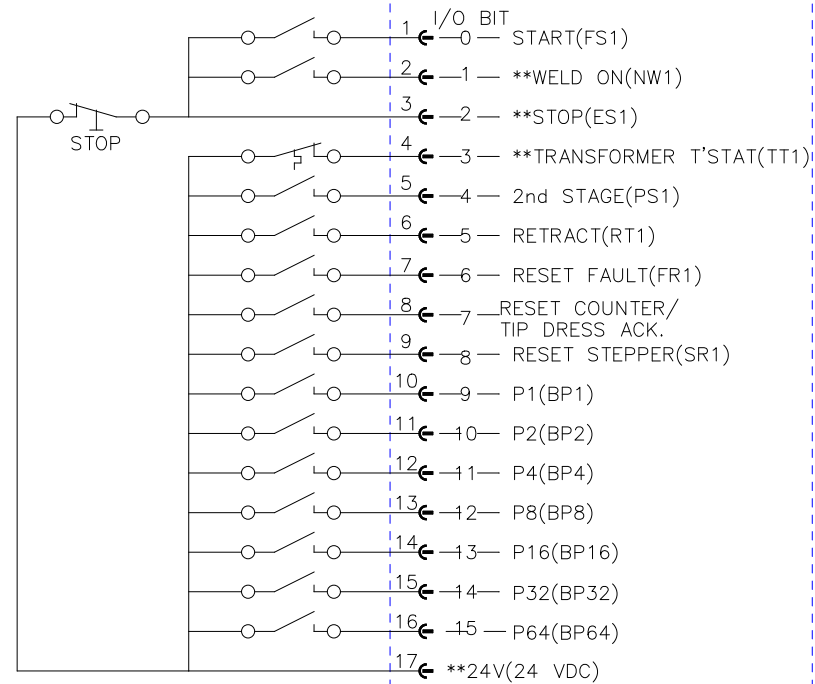


# CONNECTIONS FOR SINGLE GUN OR MACHINE

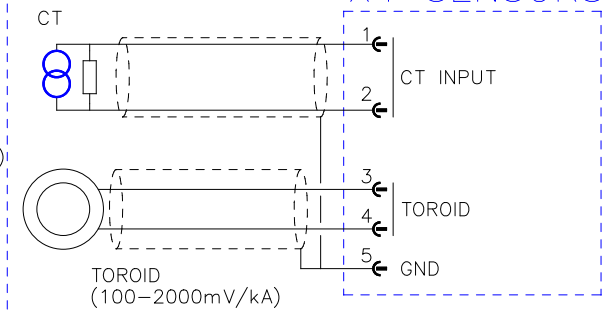
## X2 OUTPUTS



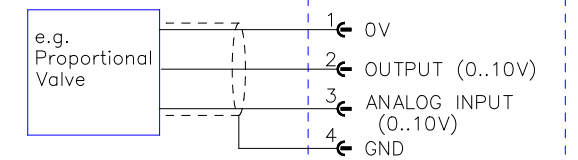
## X3 INPUTS



## X4 SENSORS



## X5 ANALOG



### NOTES:

Outputs rated 500mA @ 24V DC.

\*\* These inputs must be linked out if not used.

AWS designations shown in parenthesis.

DATE: 11-4-16

DRAWN: K.C.

CHECKED:

BF ENTRON  
LTD

TITLE: EN7000 series  
USERS CONNECTIONS

DRAWING No: 3U3633

ISSUE No: 1

SHEET No: 1 of 1