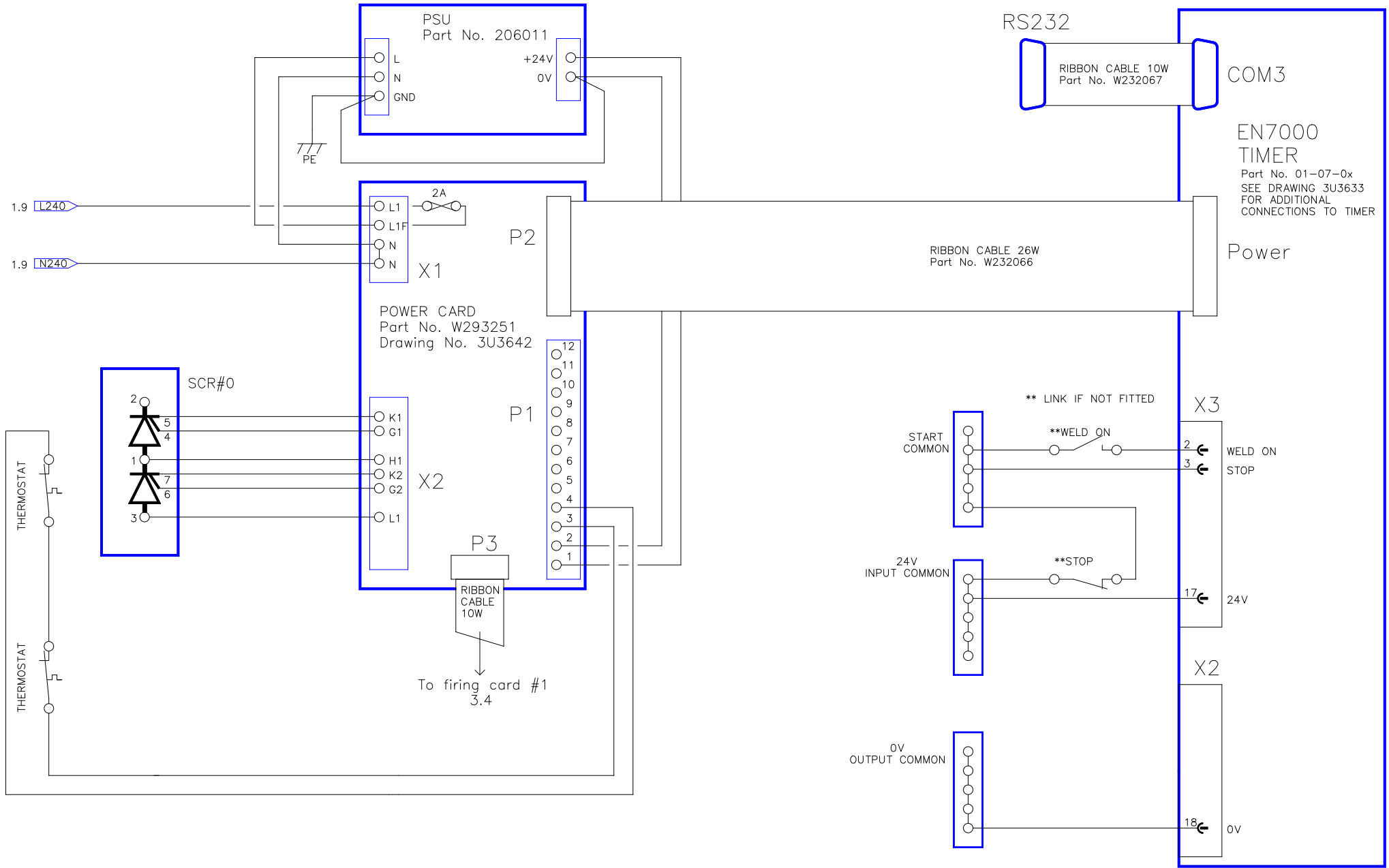


DATE:	20-2-17
DRAWN:	K.C.
CHECKED:	

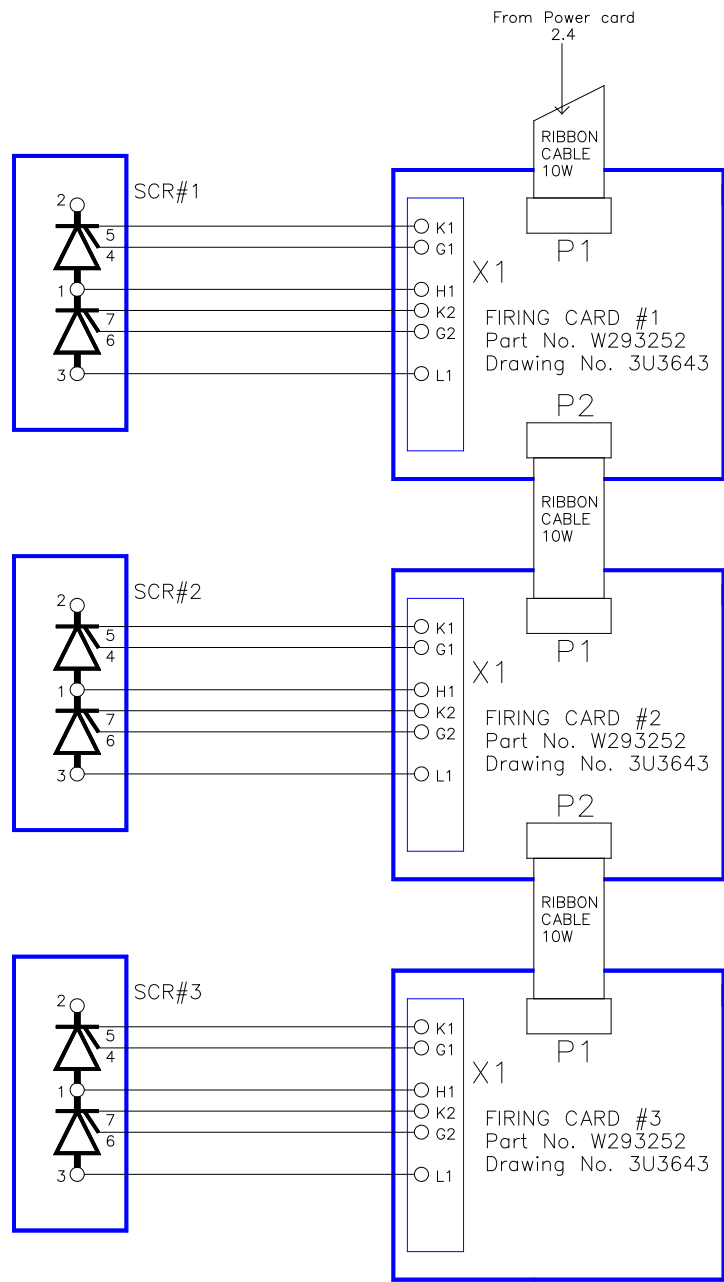
BF ENTRON LTD

TITLE: EN7000 CASE2
4xSCR WIRING

DRAWING No:	3U3650
ISSUE No:	1
SHEET No:	1 of 3



DATE:	20-2-17	BF ENTRON LTD	TITLE:	EN7000 CASE2 4xSCR WIRING	DRAWING No:	3U3650
DRAWN:	K.C.		ISSUE No:	1	SHEET No:	2 of 3
CHECKED:						



DATE:	20-2-17
DRAWN:	K.C.
CHECKED:	

BF ENTRON
LTD

TITLE: EN7000 CASE2
4xSCR WIRING

DRAWING No:	3U3650
ISSUE No:	1
SHEET No:	3 of 3