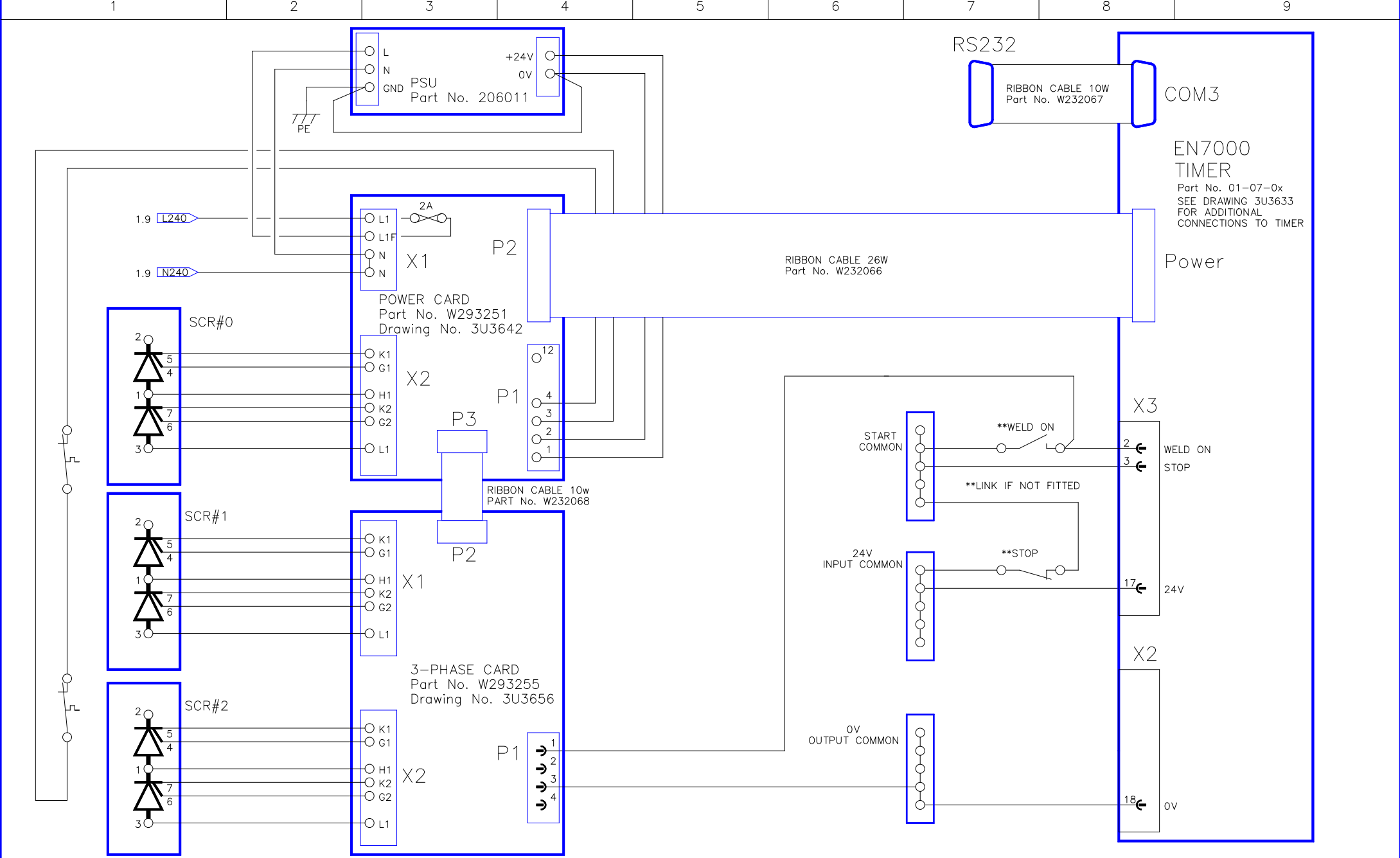


DATE:	24-3-17
DRAWN:	K.C.
CHECKED:	

BF ENTRON LTD

TITLE: EN7000 CASE2
3-Phase WIRING

DRAWING No:	3U3654
ISSUE No:	1
SHEET No:	1 of 2



DATE:	24-3-17
DRAWN:	K.C.
CHECKED:	

BF ENTRON LTD

TITLE: EN7000 CASE2 3-Phase WIRING

DRAWING No:	3U3654
ISSUE No:	1
SHEET No:	2 of 2