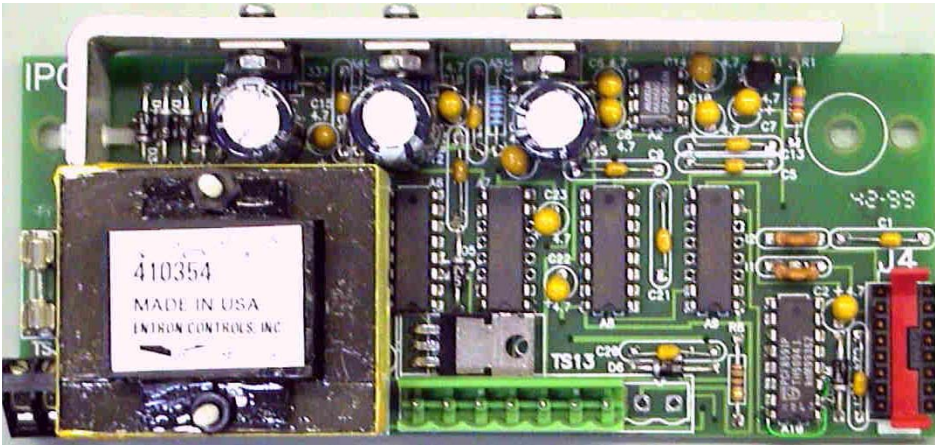


ENTRON™

INTEGRATED PRESSURE SENSE CONTROL SYSTEM

Provides Accurate Pressure Sense and/or Pressure Control



Integrated Pressure Sense Control System is an optional system which may be included with EN1000 Series Controls. IPSC System is designed for any application that requires automatic selection of preprogrammed pressure or automatic switching between different pressure settings for any schedule.

Three options:

- **IPSC** – Pressure Sense & Control
- **IPS** – Pressure Sense only
- **IPC** – Pressure Control only

Two programmable triggers

for IPSC and IPS options:

- on rising edge
- on falling edge

Three programmable modes

for any of three options:

- Pressure in [PSI] – input and/or output from 00 to 99 [PSI]
- Force in [lb] – input and/or output from 0000 to 9999 [lb]
- Current in [mA] – Standard Industrial input and/or output from 04.00 – 20.00 [mA]

Features

- Ideal for Multi-Valve/Multi-Pressure/Multi-Schedule systems and Forging operation.
- Integrated with EN1000 Series Controls – program/change pressure parameters for any schedule through Weld Control Front Panel.
- Independent pressure settings per each of the 50 or 100 schedules.
- Current loop design provides noise immunity for reliable operation.
- Digital circuitry provides highly accurate and repeatable pressure settings and selections.
- Repeatable digital accuracy eliminates need for operator adjustment or calibration.

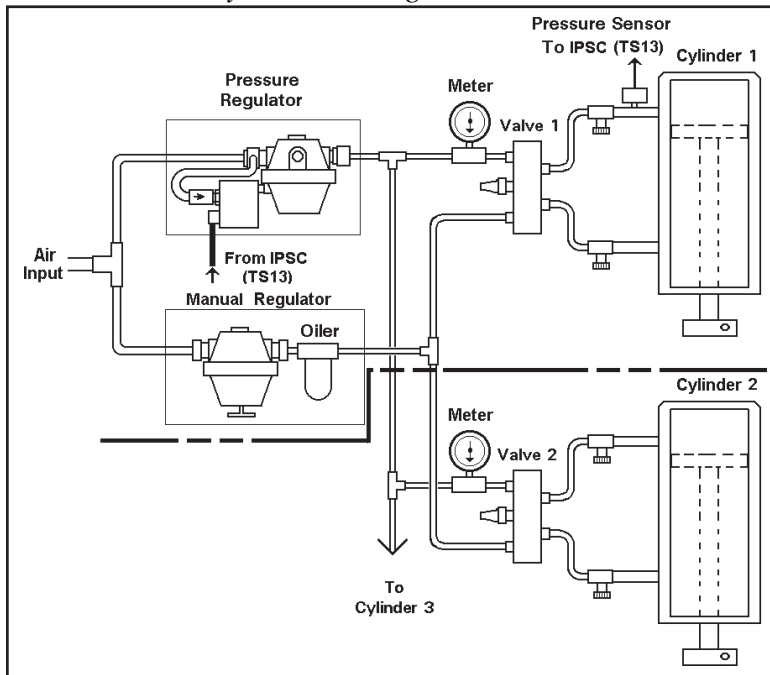
Advantages

- Precise regulation produces better weld quality.
- Set and control desired programmed pressure, regardless of line pressure variation.
- Provides accurate on-line Pressure Regulation and Sense.
- Control and sense Pressure in [PSA] or Force in [lb] or Current in [mA] with the same hardware.

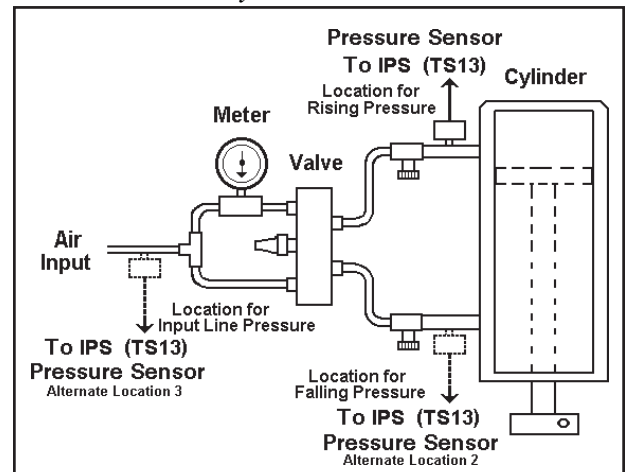
INTEGRATED PRESSURE SENSE CONTROL SYSTEM

Provides Accurate Pressure Sense and/or Pressure Control

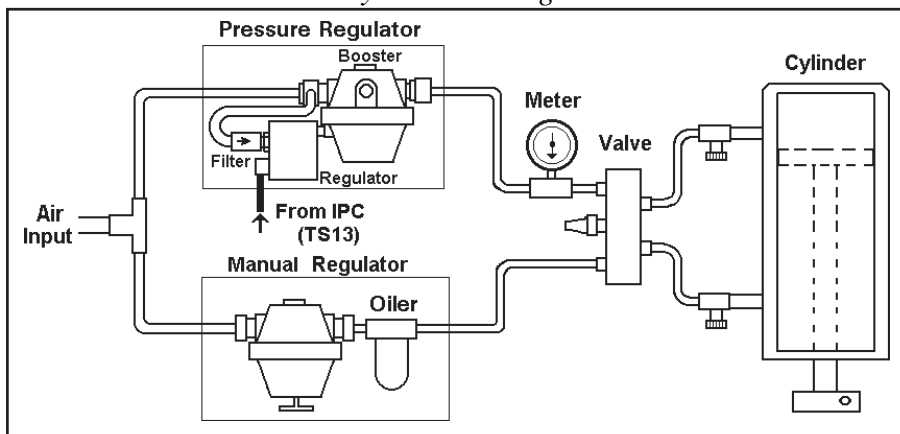
IPSC System with Regulator and Sensor



IPS System with Sensor



IPC System with Regulator



Distributed by:

Option	Description	EN1000/1001 Controls Part Number	EN1000/1001 Cascade Ctrls Part Number
IP	Integrated Pressure – customer provides Sensor and Proportional Regulator	600699-001	600719-001
IPS	Integrated Pressure Sense Only, Single Input Sensor	600699-002	600719-002
IPSD	Integrated Pressure Sense Only, Differential Sensor	600699-003	600719-003
IPC2	Integrated Pressure Control Only, 1/2" NPT Valve	600699-004	600719-004
IPC5	Integrated Pressure Control Only, 1-1/4" NPT Valve	600699-005	600719-005
IPSC2	Integrated Pressure Sense and Control, Single Input Sensor & 1/2" NPT Valve	600699-006	600719-006
IPSC5	Integrated Pressure Sense and Control, Single Input Sensor & 1-1/4" NPT Valve	600699-007	600719-007
IPSCD2	Integrated Pressure Sense and Control, Differential Sensor & 1/2" NPT Valve	600699-008	600719-008
IPSCD5	Integrated Pressure Sense and Control, Differential Sensor & 1-1/4" NPT Valve	600699-009	600719-009

ENTRONTM

ENTRON Controls, LLC.
1402 S. Batesville Road
Greer, SC 29650
(864) 416-0190
FAX (864) 416-0195
www.entroncontrols.com
e-mail: info@entroncontrols.com

RWMA[®]
MEMBER